

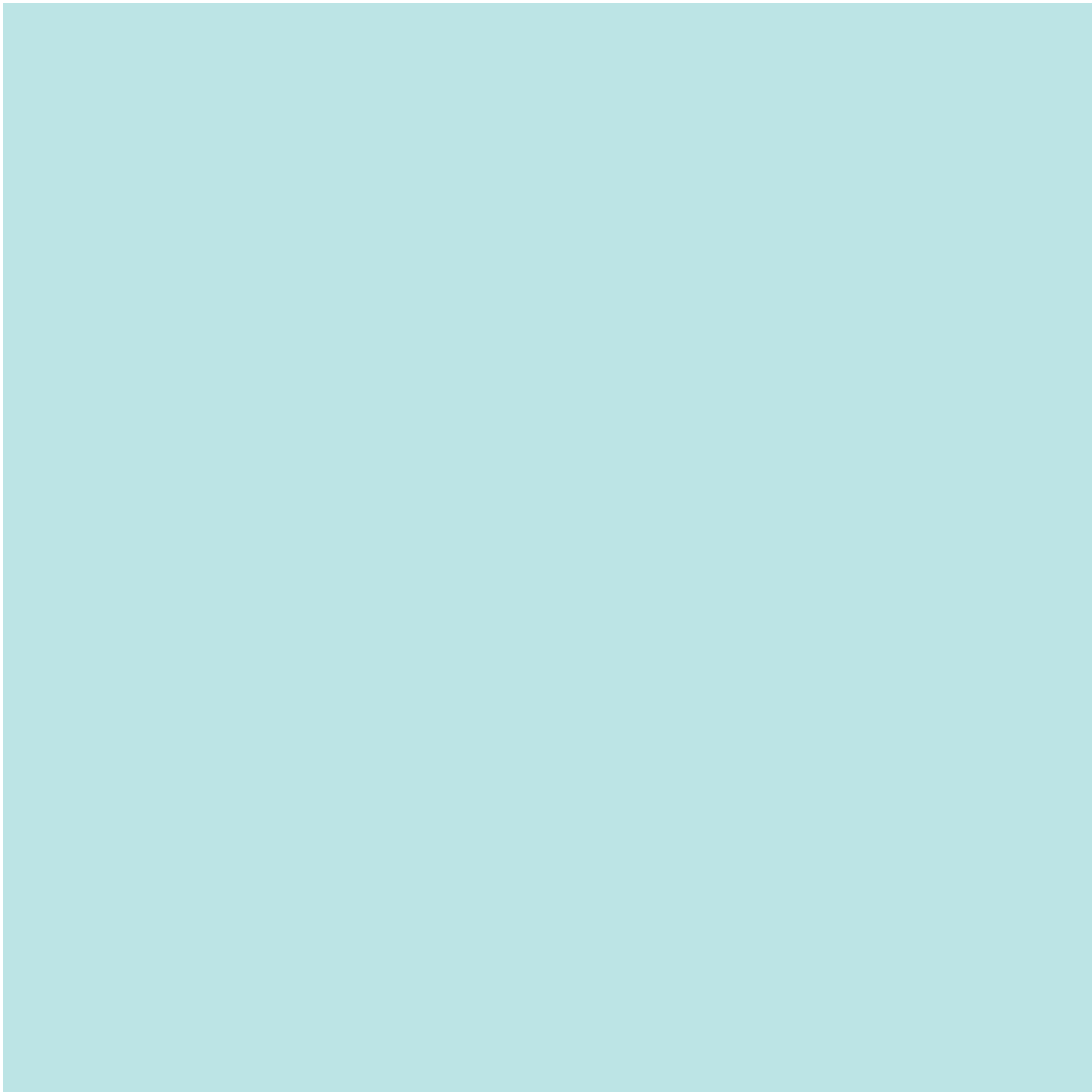

Jaquar



COMPLETE
WELLNESS
SOLUTIONS




WHIRLPOOLS | BATHTUBS | SPAS | SAUNAS | STEAM SOLUTIONS | SHOWER PANELS



Whirlpools
Bathtubs
Spas
Saunas
Steam Solutions
Shower Panels

COMPLETE WELLNESS SOLUTIONS




An aerial photograph of a river with white water rapids. The water is a vibrant turquoise color, and the rapids are characterized by white foam and turbulent currents. The perspective is from directly above, looking down at the water's surface.

In today's fast-paced life, stress and pressure are preventing us from living fulfilling, happy lives. The need to relax and rejuvenate has never been felt more.

We could regain our peace of mind and physical health simply by letting water work its magic on us – just like it has done for thousands of years, with ponds, streams and waterfalls.





Water
to heal your
mind.

Jaquar Wellness solutions offer an advanced and exquisite range of bathing products that uses water to restore physical and mental wellbeing.

Bring home the soothing power of hydro massage, airpool jets invigorating steam, chromotherapy lights and much more.

CONTENTS

Spas

10

Gemini	16
Fisher 2	18
Avante	20
Neon	22
Aquagym max extreme	24
Mercury	26
Nirvana	28
Hydrozone	30
Xenon	32
Palladium	34
Aquaswim	36

Saunas

40

Kubix	44
Serene	46
Kaya	48
Relaxo	50

Whirlpools

52

Arc	58
Kubix Prime	60
D' Arc	62
Vignette Prime	64
Kubix	66
Alive	68
Fonte	70
Fonte	72
Fonte-R	74
Fusion	76

Free Standing Bathtubs

80

Queen	82
Alaska	84
Saipan	86
Eggy	88
Julia	90

Built-in bathtubs

92

Arc	94
Kubix Prime	96
Fonte	98
Fonte	100
Kubix	102
Alive	104
D' Arc	106
Fonte-R	108
Vignette Prime	110
Fonte	112
Fusion	114

Buthtub Fillers

116

Florentine/Solo	118
Queen's/ Continental	119

Accessories

120

Drain Pipe	122
Head Rest Sophi / Comfort	123
Base Europa Kit for Bathtubs	123
Ms Frame	123

Steam Solutions

124

Mid Series	128
Smart Vapour	130
Archimede Square	132
Archimede Corner	134

Shower Panels

136

Curve Neo	140
Infinity Black	142
Infinity White	144
Shinny	146
Selfy	148
Glassy-White	150
Blak	152
Glassy-Black	154

Project Series

156

Fonte	158
My Home	160

Spas



Saunas



Whirlpools



Free Standing Bathtubs

Steam Solutions

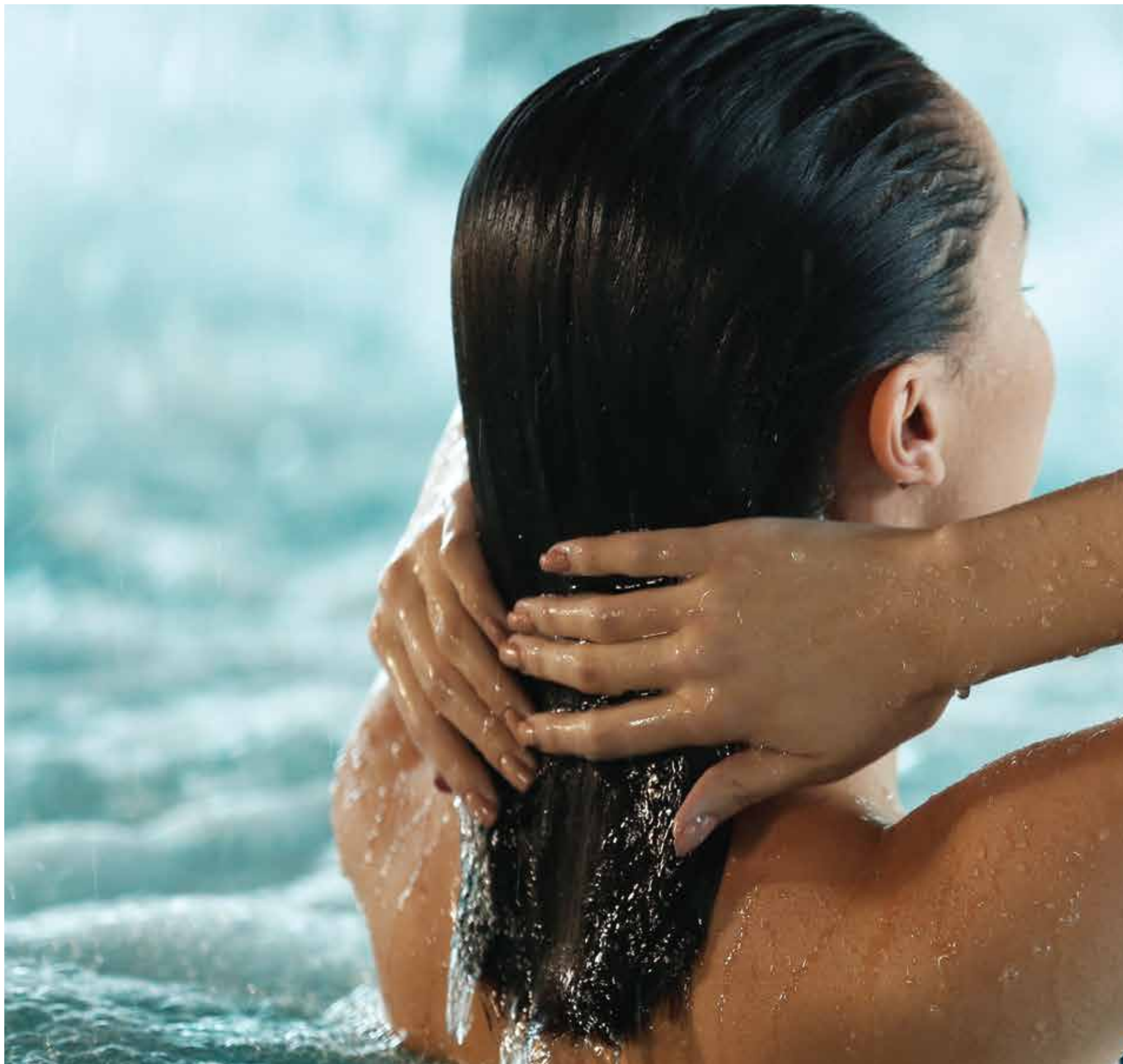


Shower Panels



Built-in Bathtubs

Wellness at a glance





Spas

Spas are a wonderful way to relax and restore equilibrium. Jaquar's spa models are technological marvels whose 'well being circuits' comprise of various seats and a common footrest in the centre. Each seat is strategically fitted with different types of massage jets in various positions, oriented to massage different parts of the body. By moving from one seat to the other, one can enjoy a complete and satisfying massage that stimulates and relaxes all parts of the body. Cushioned headrests, ergonomic seats and a host of high performance features make this the ultimate home spa experience.



Why Spas?

More economy

An array of energy efficient technologies make our spas more economical to run and easier to enjoy more often without worrying about power consumption.

Cleaner, healthier water

Unlike swimming pools, Jaquar spas don't use harsh chemicals that can be harmful for the skin. Our spas feature advanced water treatment technologies to ensure the cleanest, clearest water.

A superior experience

Jaquar spas have superior hydrotherapy performance and features that are usually reserved for the world's most expensive spas.

Guaranteed to last longer

Every Jaquar spa is hand crafted using industry-leading techniques and materials, which is why we can guarantee the spa shell for 10 years.

Easier to maintain

Jaquar spas give you the ultimate in easy care spa ownership without needing to spend much time on maintenance, or have a degree in chemistry to enjoy crystal clear water.

Features of Spas



Technologies that save energy and money

To let you enjoy using them without worrying about the power bill, Jaquar spas come with a whole range of energy efficient technologies.



Cabinet Insulation

Jaquar spas have insulation in the perimeter of their cabinets to maintain the warmth of the water, and the spa's plumbing and equipment, further reducing your energy costs.



Intelligent Thermal Regulation

Allows the spa to tune itself to its environment, day-to-day and season-to-season, thus reducing your heating costs by up to 20%.



Smart meter ready

Using Power Save software, Jaquar spas can be designed to do the filtering and heating when power costs are at their lowest. You can tailor the operation of your Jaquar spa to take advantage of smart meter technology and reduce your running costs.



Micro Filtration

The top priority is to remove waterborne contaminants.



Hydroflow jets

A Jaquar spa's hydroflow jets are designed to maximise jet pressure and provide a world-class hydrotherapy experience giving different massage action in each seat.



Ergonomic design

Jaquar spas are designed to maximise your comfort. Jets are positioned to massage tired muscles. The controls are within easy reach. And relaxation comes automatically.



Easy to operate

Jaquar spa control systems are intuitive and easy to operate and offer maximum flexibility and control. The top side panel controls most functions with one touch of a button. More advanced controls can be accessed through the simple English menu functions.



Two lounge seats

To avoid arguments over who gets the spa's lounge (usually the most comfortable and most coveted seat in the spa), most Jaquar spas have two luxurious hydrotherapy loungers.



Individual pressure control

To ensure complete satisfaction for all, each seat in your Jaquar spa can be controlled with the seat's pressure control dial. In addition, most jets can be individually controlled, directing pressure to where you need it most.



Dynamic lighting options

Flood lighting, jet lights, backlit drink holders and water features, waterline illumination and access lighting can all be added to your Jaquar spa to enhance your experience. Lighting programs can be controlled using the spa's topside controller.



Neck therapy collar

Optional on most Jaquar models, the neck therapy collar incorporates jets specially designed to eliminate stress and tension carried in the neck and shoulder area. Opt for the neck therapy collar to soothe away the stresses of your day.



Spa Health Indicator

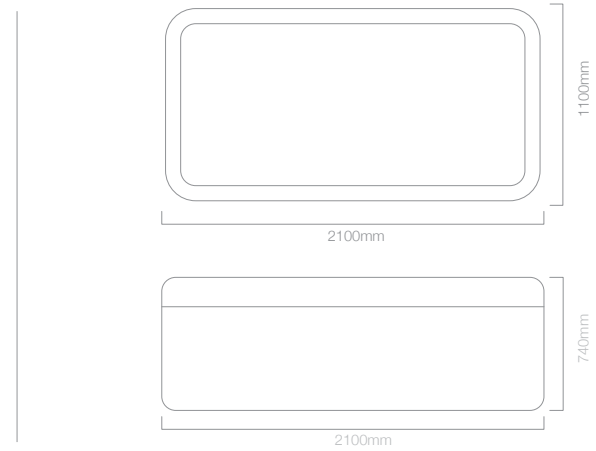
Your Jaquar Spa is also equipped with an early warning 'Spa Health Indicator' light. This light comes on to indicate that the product needs service, maintenance or attention to verify any fault that may arise, and to prevent chances of damage.



Disclaimer: Pictures shown are for illustration purposes only

Gemini

2100 x 1100 x 740 mm (2 Seater)



WSP-SLV-SPANF2001X

Gemini Spa with Stairs panels,
Hard Cover

JETS :

5" Directional Jet

1

3" Directional Jet

4

3" Spinning Jet

4

Water Cascade Jet

1

Total Jets

10

Key features



Thermoclad
cabinet



Perimeter
insulation



Thermobond
4 layer
shell construction



Duraflex
plumbing



Underwater
Led light



Backlit drink
Holders



Chromo
cascade grab bar



UV sterilising
system



Set & forget
control system



Multi-colour
Spa light



Hydrotherapy
Recliners



Aromatherapy



Illuminated
topside controls



Ozone
filtration



Reinforced
foot wall



Micro
filtration



Individual seat
pressure control



Steps

Specifications



Dry weight
220kg



Filled weight
467kg



Water capacity
300 litres



Spa controller
gecko



Jet pump(s)
2.5x1 hp



Variable output
heater 1.3kW



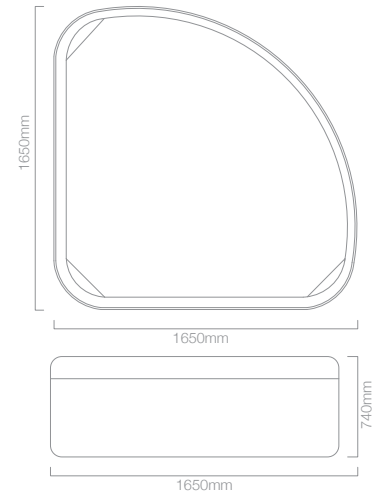
Electrical
requirements
max 15 amps



Disclaimer: Pictures shown are for illustration purposes only

Fisher 2

1650 x 1650 x 740 mm (2 Seater)



WSP-SLV-SPAFISHER

Fisher 2 Spa with Stairs panels,
Hard Cover

JETS :

3" Directional Jet	8
2" Directional Jet	8
Total Jets	16

Key features



Thermoclad
cabinet



Perimeter
insulation



Thermobond
4 layer
shell construction



Duraflex
plumbing



UV sterilising
system



Set & forget
control system



Multi-colour
spa light



Hydrotherapy
Recliners



Ozone
filtration



Reinforced
foot wall



Micro
filtration



Moulded
headrests



Steps

Specifications



Dry weight
220kg



Filled weight
620kg



Water capacity
400 litres



Spa controller
sv2



Jet pump(s)
2.5x1 hp



Variable
output heater
3 kw



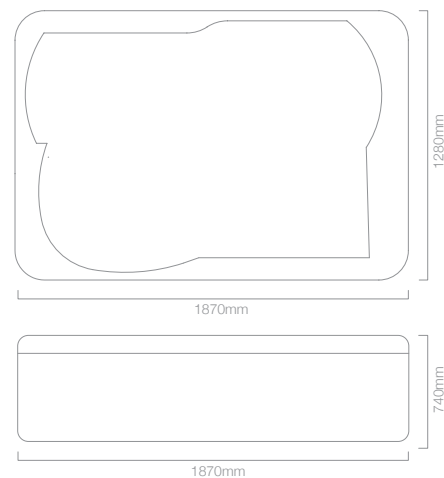
Electrical
requirements
max 15 amps



Disclaimer: Pictures shown are for illustration purposes only

Avante

1870 x 1280 x 740 mm (2 Seater)



ASP-SLV-SPAAVANTE	JETS :	
Spa Avante Top	3" Directional Jets	8
Hard Cover	2" Directional Jets	8
	Total	16

Key features



Thermoclad cabinet



Perimeter insulation



Thermobond 4 layer shell construction



Duraflex plumbing



UV sterilising system



Set & forget control system



Multi-colour spa light



Hydrotherapy recliners



Aromatherapy



Ozone filtration



Foot jets



Micro filtration



Moulded headrests



Dual controls



Individual seat pressure control



Wifi enabled



Bluetooth music system

Specifications



Dry weight
179kg



Filled weight
779kg



Water capacity
600 litres



Spa controller
sv2



Jet pump(s)
2 hp



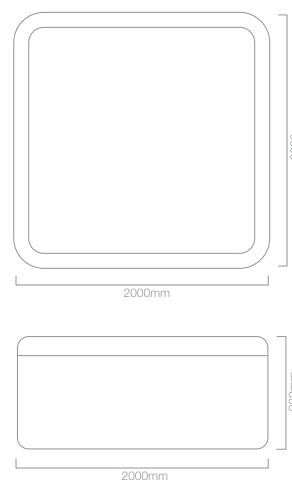
Electrical requirements
max 15 amps



Disclaimer: Pictures shown are for illustration purposes only

Mercury

2000 x 2000 x 920 mm (5 Seater)

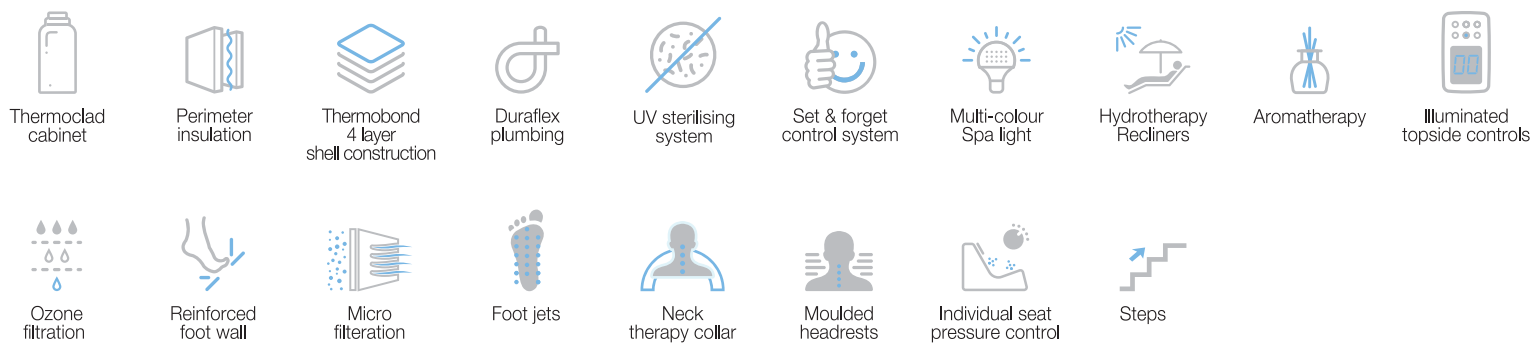


WSP-SLV-SPA5S1990VX
Mercury Spa with Stairs panels,
Hard Cover

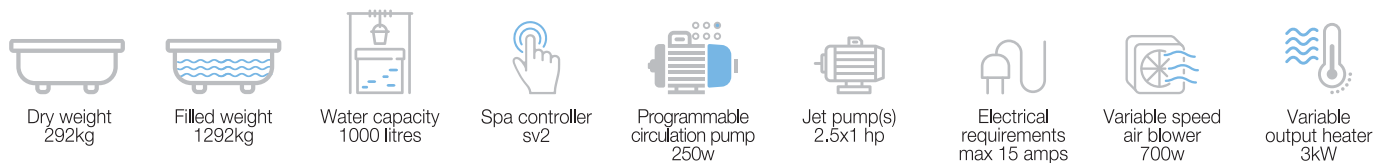
JETS :

5" Single Hole Spinning Jets	4	Air Jets	16
3" Directional Jets	8	Water Cascade Jet	1
2" Spinning Jets	4	Laminar Jets	2
2" Directional Jets	14	Total	49

Key features



Specifications

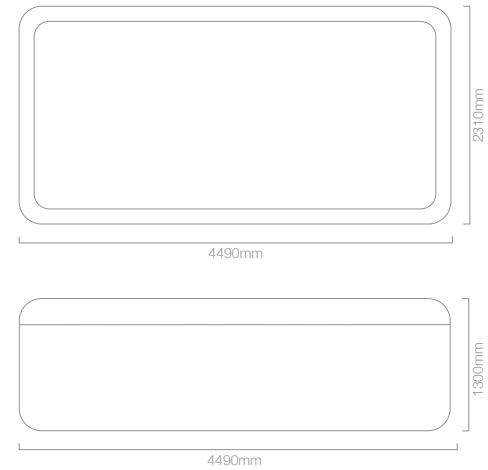




Disclaimer: Pictures shown are for illustration purposes only

Aquagym Max Extreme

4490 x 2310 x 1300 mm (4 Seater)



WSP-SLV-SPA4S449VX

Aquagym Max Extreme with
Stairs panel, Thermic Cover

JETS :

5" Directional Jet	2	3" Spinning Jet	10	Water Feature Jet	1
5" Single Hole Spinning Jet	3	2" Directional Jet	24	Laminar Jet	4
3" Directional Jet	8	2" Spinning Jet	16	Swim Jet	4
		Air Jet	14	Total	86

Key features



Thermoclad cabinet



Perimeter insulation



Thermobond 4 layer shell construction



Duraflex plumbing



UV sterilising system



Set & forget control system



Programmable multi-colour spa light



Hydrotherapy recliners



Adjustable aromatherapy



Illuminated topside controls



Ozone filtration



Reinforced foot wall



Micro filtration



Foot jets



Moulded headrests



Individual pressure control



Steps

Specifications



Dry weight
1052kg



Filled weight
9152kg



Water capacity
8100 litres



Spa controller
sv4



Programmable circulation pump
250w



Jet pump(s)
2.5 hp x 3



Variable speed air blower
700w



Variable output heater
6kW



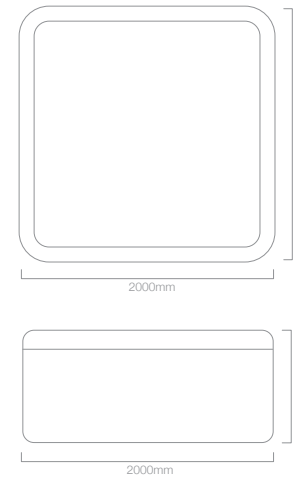
Electrical requirements
max 15 amps



Disclaimer: Pictures shown are for illustration purposes only

Mercury

2000 x 2000 x 920 mm (5 Seater)



WSP-SLV-SPA5S1990VX
Mercury Spa with Stairs panels,
Hard Cover

JETS :

5" Single Hole Spinning Jets	4	Air Jets	16
3" Directional Jets	8	Water Cascade Jet	1
2" Spinning Jets	4	Laminar Jets	2
2" Directional Jets	14	Total	49

Key features



Thermoclad
cabinet



Perimeter
insulation



Thermobond
4 layer
shell construction



Duraflex
plumbing



UV sterilising
system



Set & forget
control system



Multi-colour
Spa light



Hydrotherapy
Recliners



Aromatherapy



Illuminated
topside controls



Ozone
filtration



Reinforced
foot wall



Micro
filtration



Foot jets



Neck
therapy collar



Moulded
headrests



Individual seat
pressure control



Steps

Specifications



Dry weight
292kg



Filled weight
1292kg



Water capacity
1000 litres



Spa controller
sv2



Programmable
circulation pump
250w



Jet pump(s)
2.5x1 hp



Electrical
requirements
max 15 amps



Variable speed
air blower
700w



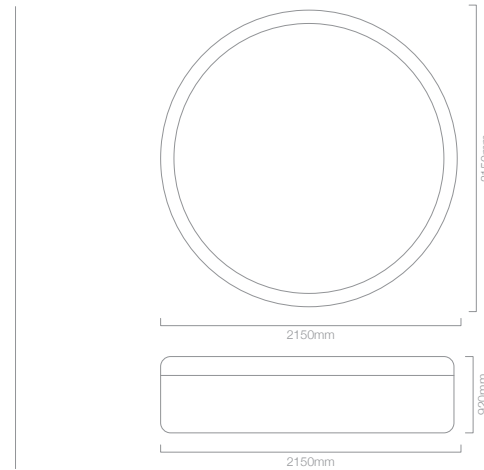
Variable
output heater
3kW



Disclaimer: Pictures shown are for illustration purposes only

Nirwana

2150 x 2150 x 920 mm (5 Seater)



WSP-SLV-SPANIRWANA
Nirwana Spa (5 seater), with
Stairs panels & Hard Cover

JETS :

3" Directional Jet	7	Air jet	10
3" Spinning Jet	8	Total Jets	25

Key features



Thermoclad
cabinet



Perimeter
insulation



Thermobond
4 layer
shell construction



Duraflex
Plumbing



UV sterilising
system



Set & forget
control system



Multi-colour
spa light



Ozone
filtration



Micro
filtration



Individual seat
pressure control



Steps

Specifications



Dry weight
320kg



Filled weight
1320kg



Water capacity
1000 litres



Spa controller
sv2



Jet pump(s)
2.5x1 hp



Variable speed
air blower
700w



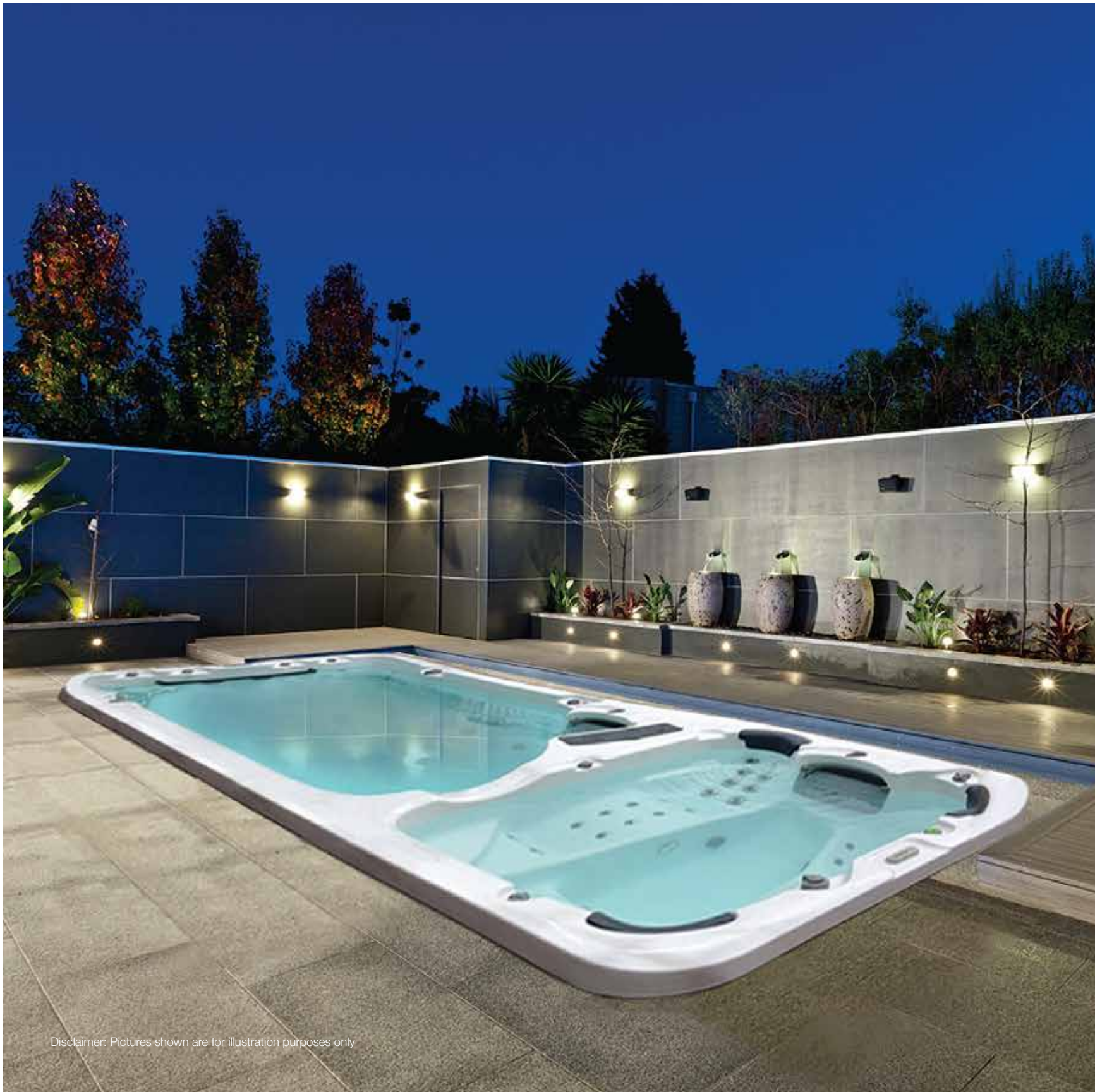
Electrical
requirements
max 15 amps



Programmable
circulation pump
250w



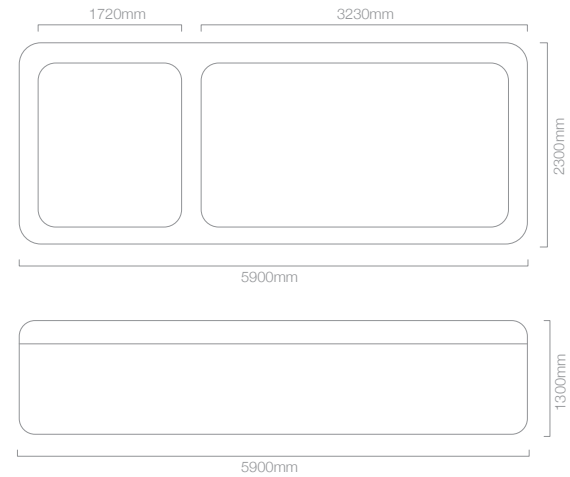
Variable
output heater
3kW



Disclaimer: Pictures shown are for illustration purposes only

Hydrozone

5900 x 2300 x 1300 mm (5 Seater)



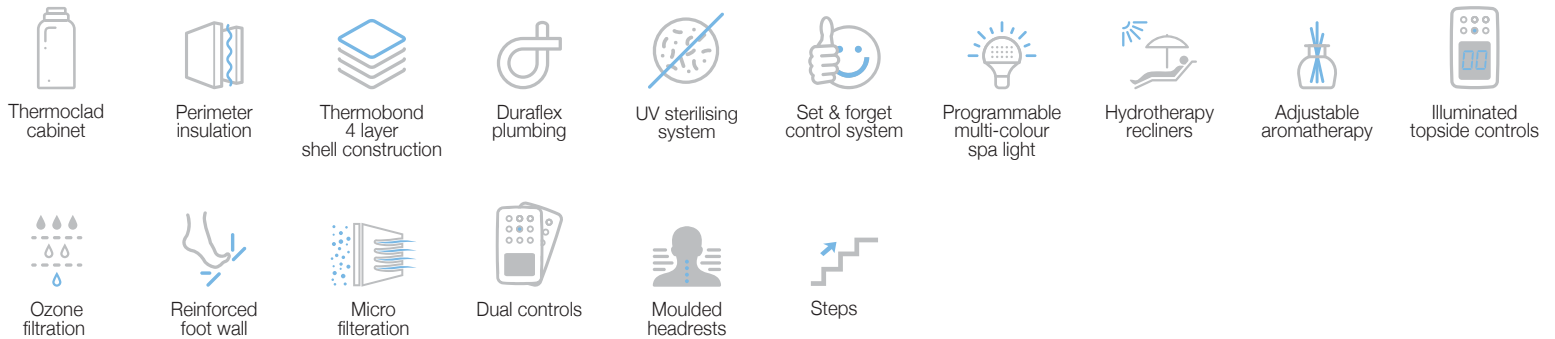
WSP-WHT-SPA5S590VX

Hydrozone Swim Spa with
Stairs panel, Hard Cover

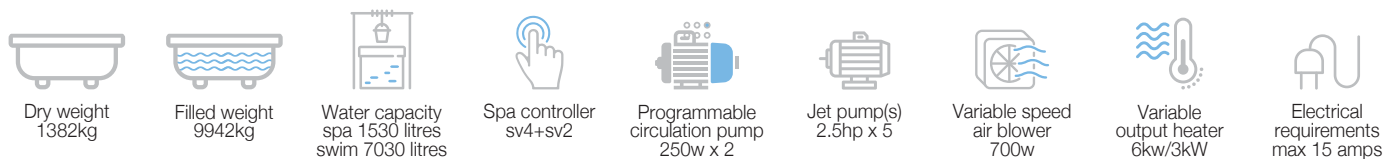
JETS :

5" Directional Jets	2	2" Directional Jets	14	Swim Jets	4
5" Single Hole Spinning Jets	5	2" Spinning Jets	12	Laminar Jets	6
3" Directional Jets	6	Air Jets	16	Total	76
3" Spinning Jets	9	Water Cascade Jets	2		

Key features



Specifications

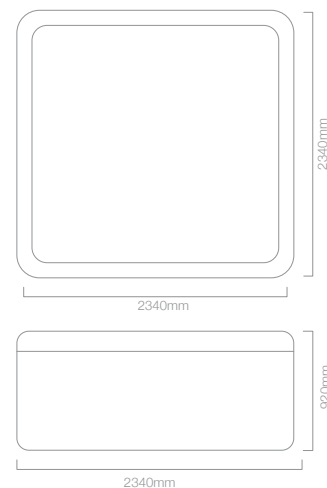




Disclaimer: Pictures shown are for illustration purposes only

Xenon

2340 x 2340 x 920 mm (6 Seater)



WSP-SLV-SPA7S2340VX

Xenon Spa with Stairs panel,
Hard Cover

JETS :

5" Double Hole Spinning Jets	2	2" Directional Jets	4	Water Cascade Jets	1
5" Single Hole Spinning Jets	4	2" Spinning Jets	8	Laminar Jets	2
3" Directional Jets	4	Air Jets	20	Total	45

Key features



Thermoclad cabinet



Perimeter insulation



Thermobond 4 layer shell construction



Duraflex plumbing



Purezone UV sterilising system



Set & forget control system



Programmable multi-colour spa light



Adjustable aromatherapy



Illuminated topside controls



Ozone filtration



Reinforced foot wall



Micro filtration



Moulded headrests



Foot jets



Wine cooler



Child seat



Individual seat pressure control



Steps

Specifications



Dry weight
334kg



Filled weight
1534kg



Water capacity
1200 litres



Spa controller
sv2



Programmable circulation pump
250w



Jet pump(s)
2.5x1 hp



Variable speed air blower
700w



Variable output heater
3kW



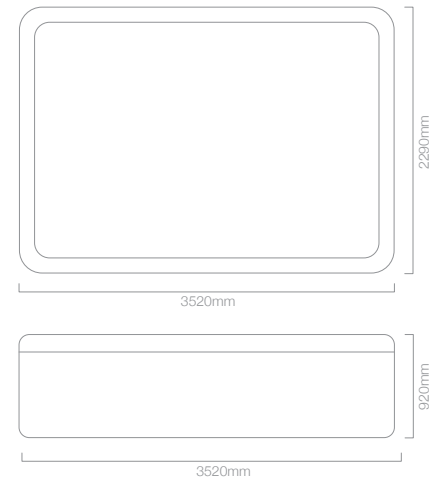
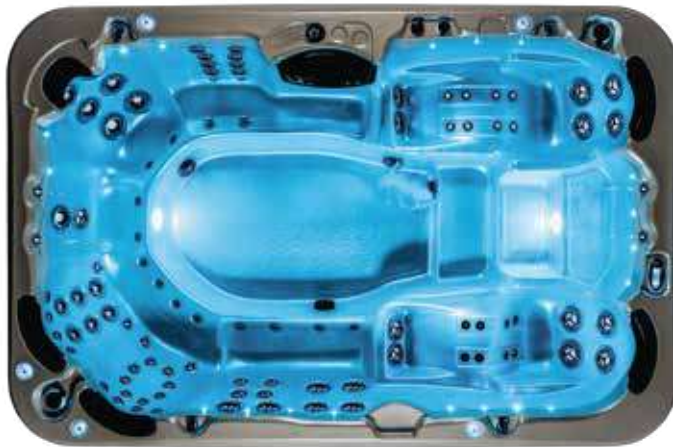
Electrical requirements
max 15 amps



Disclaimer: Pictures shown are for illustration purposes only

Palladium

3520 x 2290 x 920 mm (9 Seater)



WSP-SLV-SPA8S3520VX
Palladium Spa with Stairs panel,
Hard Cover

JETS :

5" Directional Jet	6	3" Spinning Jet	2	Air Jet	22
5" Single Hole Spinning Jet	14	2" Directional Jet	24	Water Cascade Jet	1
3" Directional Jet	12	2" Spinning Jet	8	Laminar Jet	4
				Total	93

Key features



Thermoclad cabinet



Perimeter insulation



Thermobond 4 layer shell construction



Duraflex plumbing



UV sterilising system



Set & forget control system



Hydrotherapy recliners



Adjustable aromatherapy



Illuminated topside controls



Ozone filtration



Reinforced foot wall



Micro filtration



Foot jets



Programmable multi-colour Spa light



Moulded headrests



Individual seat pressure control



Neck therapy collar



Steps

Specifications



Dry weight
490kg



Filled weight
4090kg



Water capacity
3600 litres



Spa controller
sv2



Programmable circulation pump
250w



Jet pump(s)
2.5hp x 2



Variable speed air blower
700w



Variable output heater
6kW



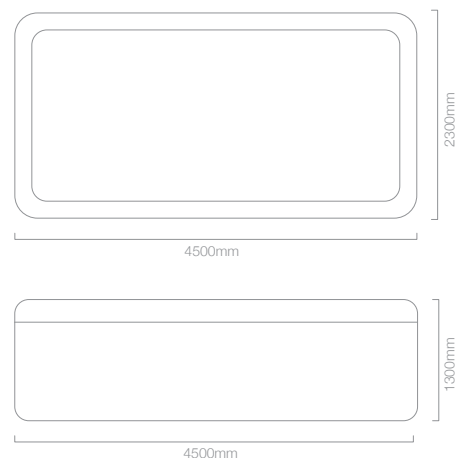
Electrical requirements
max 15 amps



Disclaimer: Pictures shown are for illustration purposes only

Aqua swim

4500 x 2300 x 1300 mm



WSP-SLV-AQUASWIM13TP
Jaquar aqua swim top with swim jets, chromotherapy & uv filtration system

JETS :
Swim Jets 2
Total 2

Key features



Perimeter insulation



Thermobond 4 layer shell construction



Duraflex plumbing



UV sterilising system



Set & forget control system



Ozone filtration



Reinforced foot wall



Micro filtration



Digital Control panel



Powerful and efficient pumps

Spa-hydroglow



Programmable multi-colour spa light

Specifications



Spa controller svm 2



Dry weight 696kg



Filled weight 7496kg



Electrical requirements max 15 amps



Jet pump(s) 2.5hpx2



Programmable circulation pump 250w



Variable output heater 3kW

Jaquar Spas product features sheet

Product Name	Hydrozone	Gemini	Neon	Xenon	Mercury	Palladium	Aquagym Max	Aqua swim1300 top version	Fisher 2	Nirvana	Spa Avante
Size	590x230x130	210x110x74	206x169 x82	230x230x92	200x200x92	35 x229x92	449x23 x130	450x230x130	165x165x74	215x92	187x128x74
Dry Weight	1382kg	167kg	254kg	334kg	292kg	490kg	1052kg	696kg	220kg	320kg	179kg
Filled Weight	9902kg	467kg	854kg	1534kg	1292kg	4090kg	9152kg	7496kg	620kg	1320kg	779kg
Water Capacity	Spa 1530 ltr, Swim 7030ltr	300 litres	600 litres	1200 litres	1000 litres	3600litres	8100 litres	6800 litres	400 litres	1000 litres	600litres
Spa Controller	SV4 + SV2	Gecko	SV2	SV2	SV2	SV3	SV4	SV M2	SV2	SV2	SV2
Programmable Circulation Pump	250 WX2	X	250 W	250 W	250 W	250 W	250 W	250W	X	250W	X
Variable Speed Air Blower	700W	X	700W	700W	700W	700W	700W	X	X	700W	X
Jet Pump(s)	2.5 hp x 4, 2.5hp x 1 or (2.5 hp x 5)	2.5 hp x 1	2.5 hp x 1	2.5x1 hp	2.5x1 hp	2.5 hp x 2	2.5 hp x 4	2.5 hp x 2	2.5 hp 2speed x 1	2.5 hp x 1	2 hp 2speed x 1
Variable Output Heater	6 kW max/ 1.3 kW max	3 KW	3 KW	3kW	3kW	6KW	6KW	3KW	3KW max	3KW	3KW
Electrical Requirements	Max 60 amps	15 amps	15 amps	Max 15 amps	Max 15 amps	Max 40 amps	Max 45 amps	Max 32 amps	15 amps	15 amps	15 amps
5" Directional Jet	2	1	X	X	X	6	2	X	X	X	X
5" Double hole spinning Jet	X	X	X	2	X	X	0	X	X	X	X
5" Single Hole Spinning Jet	5	X	2	4	4	14	3	X	X	X	X
3" Directional Jet	6	4	X	4	8	12	8	X	8	7	8
3" Spinning Jet	9	4	4	X	X	2	10	X	X	8	X
2" Directional Jet	14	X	10	4	14	24	24	X	8	X	8
2" Spinning Jet	12	X	18	8	4	8	16	X	X	X	X
Air Jet	16	X	16	20	16	22	14	X	X	10	X
Water Cascade Jet	2	1	1	1	1	1	1	X	X	X	X
Swim Jet	4	X	X	X	X	X	4	2	X	X	X
Volcano Jet	X	X	1	X	X	X	X	X	X	X	X
Laminar Jet	6	X	2	2	2	4	4	X	X	X	X
Set & Forget Control System	•	•	•	•	•	•	•	•	•	•	•
Thermo bond 4 layer shell construction	•	•	•	•	•	•	•	•	•	•	•
Reinforced Foot Wall	•	•	•	•	•	•	•	•	X	X	X
Child Seats & Wine Cooler	X	X	X	•	X	X	X	X	X	X	X
Programmable Circulation Pump	•	•	•	•	•	•	•	•	•	•	•

Note:

- Symbol indicate that particular feature is available in that product.
- X Symbol indicate that particular Feature is not available in that product.

Jaquar Spas product features sheet

Product Name	Hydrozone	Gemini	Neon	Xenon	Mercury	Palladium	Aquagym Max	Aqua swim1300 top version	Fisher 2	Nirvana	Spa avante Extreme
Size	590x230x130	210x110x74	206x169 x82	230x230x92	200x200x92	35 x229x92	449x23 x130	450x230x130	165x165x74	215x92	187x128x74
"Twin Accu-Pressure Seats	*X	X	•	X	X	•	X	X	X	X	X
Hydrotherapy Recliners	•	•	X	•	•	X	•	X	X	X	X
Water Spout	X	X	X	•	X	X	X	X	X	X	X
Dual Controllers	•	X	X	X	X	X	X	X	X	X	X
Programmable	•	•	•	•	•	•	•	•	•	•	•
Multi-Colour Spa Light											
Moulded Headrests	•	•	•	•	•	•	•	X	•	X	•
Water Cascade	•	•	•	•	•	•	•	X	X	X	X
Adjustable Aromatherapy	•	•	•	•	•	•	•	X	X	X	X
Lockable Hard Cover (Thermic Cover)	•	•	•	•	•	•	•	•	•	•	•
Illuminated Topside Controls	•	•	•	•	•	•	•	X	X	X	X
Cup holder illumination	•	•	•	•	2	•	•	X	X	•	X
Individual Seat Pressure Controls	•	X	•	•	•	•	•	X	X	X	X
Neck therapy collar	•	X	X	X	•	•	•	X	X	X	X
Intelligent thermal tuning	•	•	•	•	•	•	•	•	•	•	•
Perimeter Insulation	•	•	•	•	•	•	•	•	•	•	•
Duraflex plumbing	•	•	•	•	•	•	•	•	•	•	•
Frame	Steel Frame	plastic frame	plastic frame	plastic frame	plastic frame	Steel Frame	Steel Frame	Steel Frame	Timeber support Frame	Timeber support Frame	Timeber support Frame
Thermoclad cabinet	•	•	•	•	•	•	•	X	•	•	•
Base	PVC Base	ABS Base	ABS Base	ABS Base	ABS Base	PVC Base	PVC Base	X	ABS Base	ABS Base	ABS Base
Water fall	X	•	X	X	X	X	X	X	X	X	X
Foot jet	•	X	•	•	•	•	•	X	X	X	•
Micro Filtration	•	Skimmer	•	•	•	•	•	•	X	X	X
Ozone	•	•	•	•	•	•	•	•	•	•	•
UV	•	•	•	•	•	•	•	•	•	•	•
Clean up cycle	•	•	•	•	•	•	•	•	•	•	•

Warranty Table

Shell Warranty	5 Years	5 Years	5 Years	5 Years	5 Years	5 Years	5 Years	5 Years	5 Years	5 Years	5 years
Structural Warranty	10 Years	10 Years	10 Years	10 Years	10 Years	10 Years	10 Years	10 Years	10 Years	10 Years	10 Years
Electrical Warranty	2 Years	2 Years	2 Years	2 Years	2 Years	2 Years	2 Years	2 Years	2 Years	2 Years	2 years
Jets Warranty	5 Years	5 Years	5 Years	5 Years	5 Years	5 Years	5 Years	5 Years	5 Years	5 Years	5 years

Note:

- Symbol indicate that particular feature is available in that product.
- X Symbol indicate that particular Feature is not available in that product.





Saunas

A Sauna is a bathhouse or room, usually made of wood, which uses dry heat to induce perspiration, with steam being produced by pouring water on heated stones. Perspiration or sweating is one of the main ways our bodies get rid of the traces of hundreds of toxins that accumulate inside us from pesticides, drugs and manmade chemicals. 15 minutes in a Jaquar sauna can help us sweat as much as we might otherwise do over an entire day or more. And the benefits of this aid in many medical conditions.

Why Saunas?

Detoxification

Saunas stimulate the body to release fat-soluble toxins, heavy metals, and other toxic chemicals in sweat via pores more effectively than any other form of heat therapy or exercise. Reports have shown that it can relieve the symptoms of drug-induced lupus. The list of chemicals claimed to be removed from the body includes: mercury, lead, copper, cadmium, manganese, sodium, chloride, arsenic, nickel, benzenes, street drugs, prescription drugs, anaesthetics, cholesterol, urea, nicotine, sulfuric acid.

Immune System Enhancement. A typical sauna session will cause a brief 1 to 3 degree F increase in body temperature. Fever is the body's defence against bacteria, microbes and consequent infection. The production of white blood cells by the bone marrow and killer T cells by the thymus results in boosting immunity, overall.

Stress Relief

Continuous strain on the autonomic nervous system leads to a high level of stress, one of the elusive causes of many chronic diseases.

Pain Relief and Control

It helps in relieving muscular pain, cardiovascular and other skin conditions

Skin Cleaning and Rejuvenation

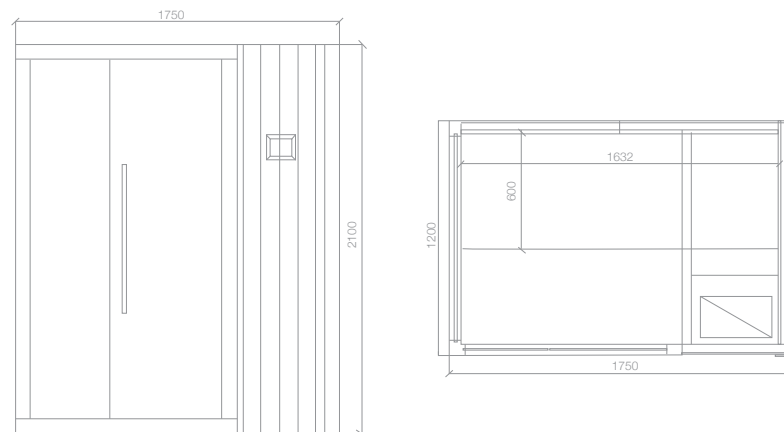
Saunas open clogged pores allowing for removal of dirt, oil, and makeup. In addition, there are improvements in skin problems such as acne, rashes, burns, eczema and psoriasis. Scars, even keloids, may be gradually softened.



Disclaimer: Pictures shown are for illustration purposes only

Kubix

1750 x 1200 x 2100 mm



JSA-NAW-T16120

Specifications



Wood finish
hemlock



Chromotherapy



Stove heater
4.5 kw with frame



2 pcs.
s shape backrest



Thermometer



Hygrometer



Sandglass timer



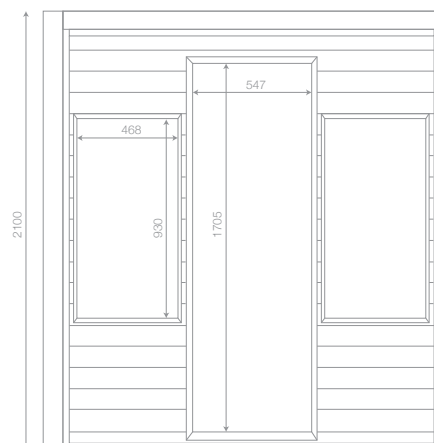
Bluetooth



Disclaimer: Pictures shown are for illustration purposes only

Serene

1750 x 1200 x 2100 mm (3-4 Persons)



JSA-NAW-S004175

Specifications



Wood finish
hemlock



Stove heater
4.5 kW with frame



On heater
control panel



White light
with cover



Chromotherapy



Mp3 player



Thermometer



Hygrometer



2 pcs.
s shape backrest



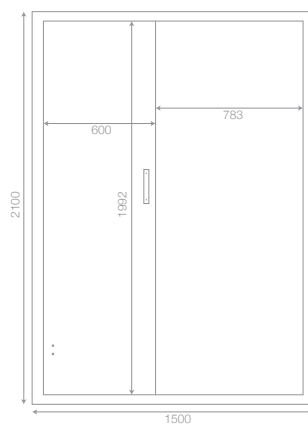
Sandglass timer



Disclaimer: Pictures shown are for illustration purposes only

Kaya

1500 x 1100 x 2100 mm (1-2 Persons)



JSA-NAW-MD3150

Specifications



Wood finish
hemlock



Stove heater
4.5 kW with frame



On heater
control panel



Chromotherapy



2 pcs.
s shape backrest



Mp3 player



Thermometer



Hygrometer



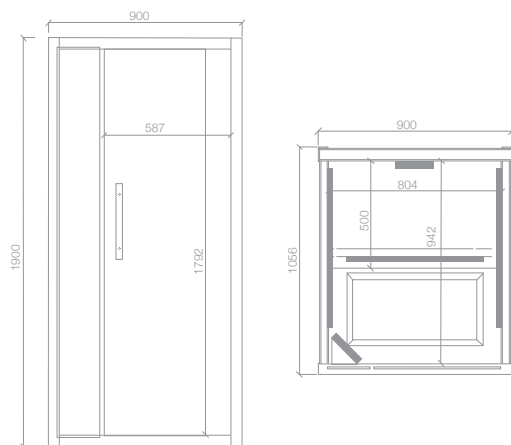
Sandglass
timer



Disclaimer: Pictures shown are for illustration purposes only

Relaxo

900 x 1050 x 1900 mm (1 Person)



JSA-NAW-DLX9011

Specifications



Wood finish
hemlock



Comfortable
backrest



Touch
control system



Combination of
spectrum & black
mica carbon
heater 1.75kw



Built-in
temperature
sensor



Music centre-radio
bluetooth,
usb, aux



Chromotherapy





Whirlpools

Jaquar proudly presents its own range of whirlpools. Created by specialist designers from Europe and made in Jaquar's state-of-the-art manufacturing facilities.

Jaquar whirlpools bring wellness into your home with great style and panache. Their jets project water in a flowing, circular motion, which offers a wide array of health benefits, including relaxation, improved blood circulation and sore muscle and joint relief. Whatever you desire, whether hot or cold water massages, long relaxing soaks or even chromotherapy, a Jaquar whirlpool gives you all these and more. Easy to use functions flawlessly switch water modes for your benefit.



Why Whirlpools?

Hydromassage

A gentle jet stream massage bath that stimulates from the surface of the skin onwards. The deep tissue massage stimulates blood vessels and nerve endings, and relaxes your body's entire muscular system

Air Massage

An infinite number of air bubbles provide a caressing sensation on the skin and allow the water's soothing warmth to penetrate deeper into the body's tissue. This sensational feeling, akin to weightlessness, is accompanied by a deep experience of healing warmth.

Chromotherapy

The use of various coloured lights offers additional therapeutic benefits when used in conjunction with the whirlpool's massage. These include:

Green: has harmonious effects on the digestive system.

Yellow: radiates sun-like warmth on the body.

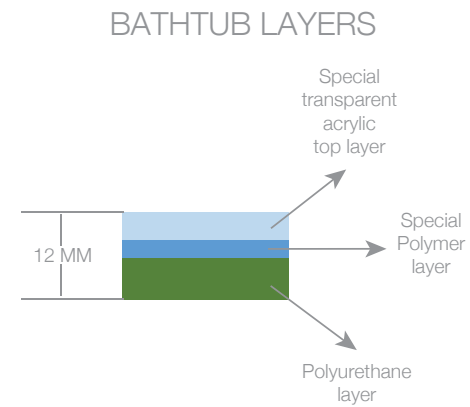
Blue: is calming and soothing and lets you float away in to your dreams.

Red: infuses energy and vitality, giving lost strength to the entire system.

Features

The unbeatable product features are:

- Brilliant surface of sanitary acrylic
- Antibac® hygienic surface
- Increased chemical resistance
- High break strength
- Long life
- Excellent design possibilities
- Easyglide® layer
- Low specific weight
- Recyclable
- Repairable



Special transparent acrylic top layer has a high chemical resistance to: cleaning agents, perfumed foams, household detergents, body care products. It prevents surface defects, crazing/cracking, decoloration and colour fading

Special polymer for better mechanical resistance to impact and temperature

Polyurethane layer is recyclable and uses eco-friendly materials with high insulation that retain the temperature for a longer period than FRP



Safety Vacuum Breaker

This is one of the important safety features installed in Jaquar whirlpools. In case of blockage in the suction point the motor switches off automatically.



No Bacteria Formation.

Fresh Water Everytime
The water pipes connect via Y-shaped housings, creating a bow which ensures the complete drainage of water. Unpleasant odours and, even worse, bacteria are thus avoided.



Environment Friendly

The pipes are made from special Food Grade PVC. These pipes have an anti bacterial coating on the inner side so that even if some drops of water stay behind after the tub is drained, there won't be any bacteria formation in the water droplets.



3 Tier Test

Each and every Jaquar whirlpool goes through a functional test with hot water after which it is tested on a European test machine for earthing resistance, insulation test and a high voltage test.



Easy To Use

The electronic keypad control activates all the hydromassage functions, to regulate Airpool intensity. All electronic parts can be installed and removed on site, thus making after-sales, what it should ideally be - a service !



Water jets

The effectiveness of the hydromassage is enhanced by how the water flow can be adjusted in intensity and direction to suit personal needs, in order to gently massage delicate areas.



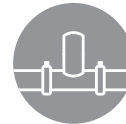
Airpool jet

The airpool jets provide a gentle and delicate massage on your spine, which increases the sensation of warmth in the body and has beneficial effects on the back. The air bubbles open the insulation layer by oxygenating the body.



PMMA sheet

Jaquar whirlpools are made of the highest grade of PMMA acrylic sheet



Air suction valve

To enable suction of atmospheric air, and distribute it to each and every water jet to boost the jet pressure.

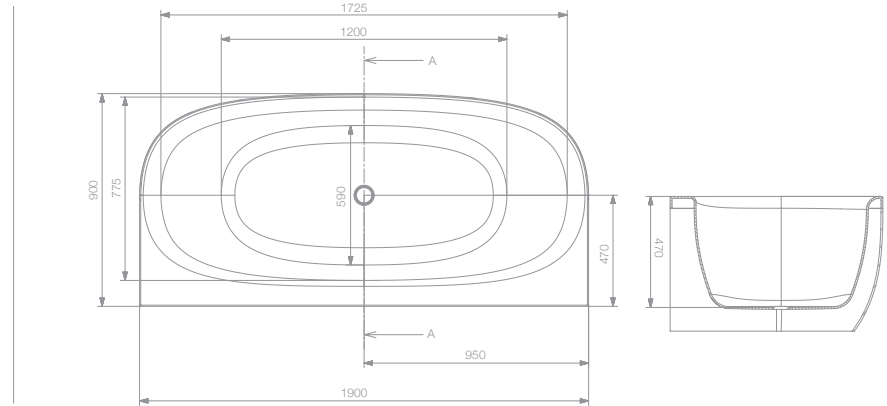


Disclaimer: Pictures shown are for illustration purposes only

Arc

1900 x 900 x 470 mm

NEW



JWP-WHT-ARC190CX (Combi System)

Specifications



PMMA Sheet



PU Green Reinforcement



SS Frame



Level Sensor



Safety Vacuum Breaker



Keypad control



Overflow with drain & filler



Water Pump 1.4 HP



Super slim brass water jets 8



Back Jets-4



0.9 HP Air Blower



Micro brass Air Jets 12



Air Regulator



Disinfection



Headrests



Chromotherapy



Slim Suction Cover

JWP-WHT-ARC190WX (Water System)

Specifications



PMMA Sheet



PU Green Reinforcement



SS Frame



Level Sensor



Safety Vacuum Breaker



Keypad control



Overflow with drain & filler



Water Pump 1.4 HP



Super slim brass water jets 8



Back Jets-4



Air Regulator



Disinfection



Headrests



Chromotherapy



Slim Suction Cover

JWA-WHT-ARCFPX (Front Panel)

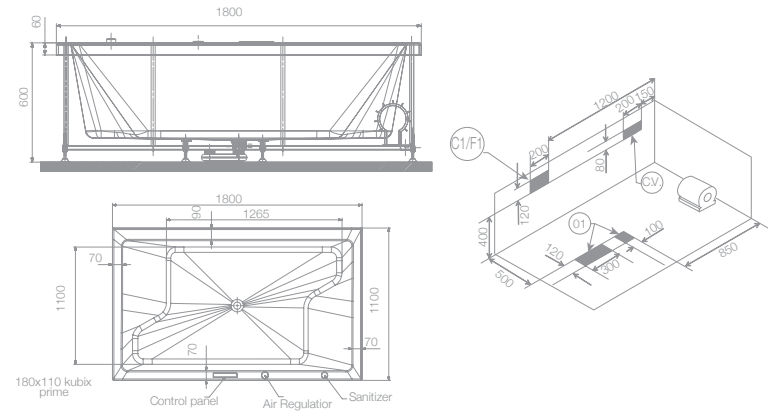
JWA-WHT-ARCSPX (Side Panel)



Disclaimer: Pictures shown are for illustration purposes only

Kubix Prime

1800 x 1100 x 470 mm



JWP-WHT-KUBIXPM180CX (Combi System)

Specifications



PMMA Sheet



PU Green Reinforcement



SS Frame



Level Sensor



Safety Vacuum Breaker



Keypad control



Overflow with drain & filler



Water Pump 1.4 HP



Slim water Jets 8



Back Jets-4



0.9 HP Air Blower



Air Jets 16



Air Regulator



Disinfection



Headrests



Chromotherapy

JWP-WHT-KUBIXPM180WX (Water System)

Specifications



PMMA Sheet



PU Green Reinforcement



SS Frame



Level Sensor



Safety Vacuum Breaker



Keypad control



Overflow with drain & filler



Water Pump 1.4 HP



Slim water Jets 8



Back Jets-4



Air Regulator



Disinfection



Headrests



Chromotherapy

JWA-WHT-FP180X (Front Panel)

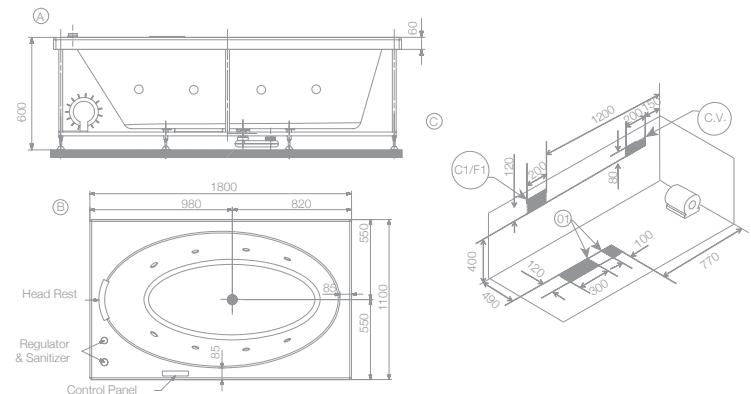
JWA-WHT-SP110X (Side Panel)



Disclaimer: Pictures shown are for illustration purposes only

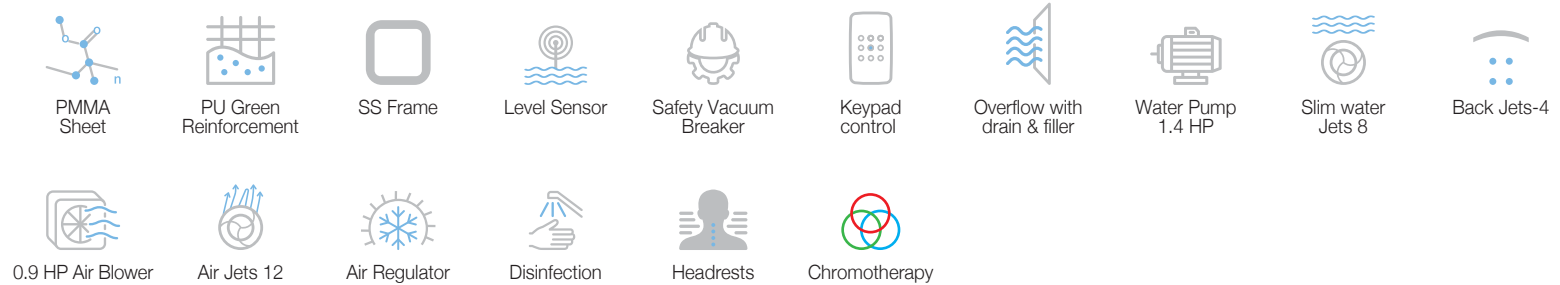
D'Arc

1800 X 1100 X 470 mm



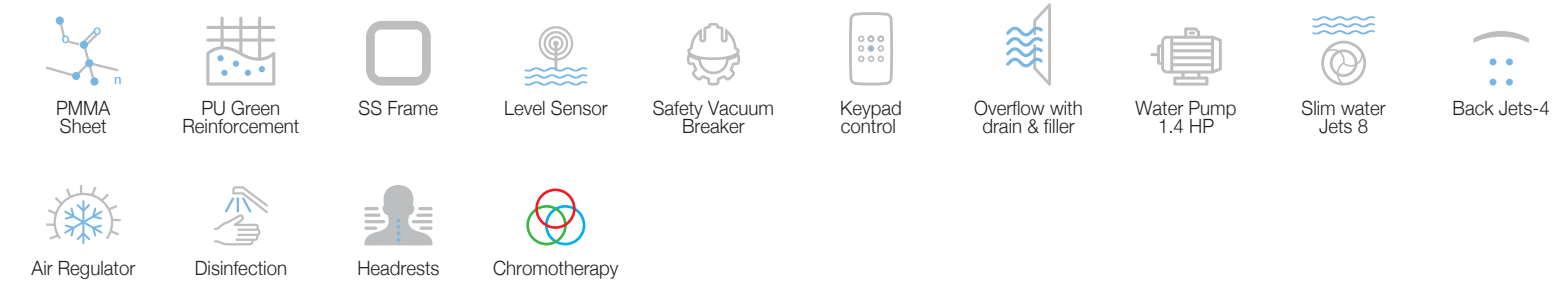
JWP-WHT-DARC180CX (Combi System)

Specifications



JWP-WHT-DARC180WX (Water System)

Specifications



JWA-WHT-FP180X (Front Panel)

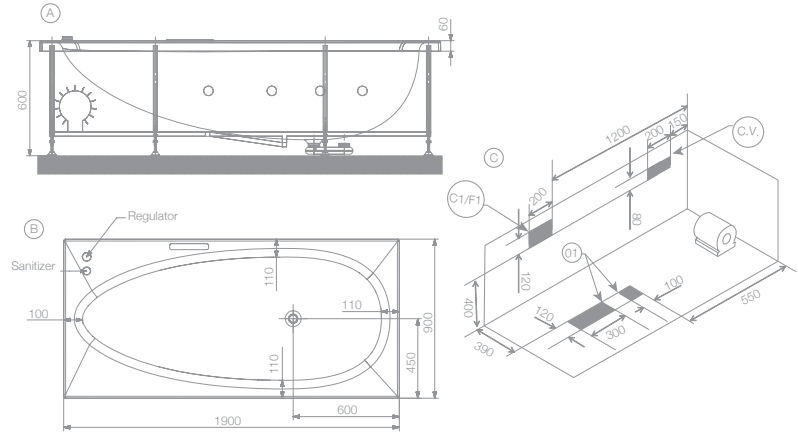
JWA-WHT-SP110X (Side Panel)



Disclaimer: Pictures shown are for illustration purposes only

Vignette Prime

1900 X 900 X 470 mm



JWP-WHT-VGNT190CX (Combi System)

Specifications



PMMA Sheet



PU Green Reinforcement



SS Frame



Level Sensor



Safety Vacuum Breaker



Keypad control



Overflow with drain & filler



Water Pump 1.4 HP



Slim water Jets 8



Back Jets-4



0.9 HP Air Blower



Air Jets 12



Air Regulator



Disinfection



Headrests



Chromotherapy

JWP-WHT-VGNT190WX (Water System)

Specifications



PMMA Sheet



PU Green Reinforcement



SS Frame



Level Sensor



Safety Vacuum Breaker



Keypad control



Overflow with drain & filler



Water Pump 1.4 HP



Slim water Jets 8



Back Jets-4



Air Regulator



Disinfection



Headrests



Chromotherapy

JWA-WHT-VGNTFPFX (Front Panel)

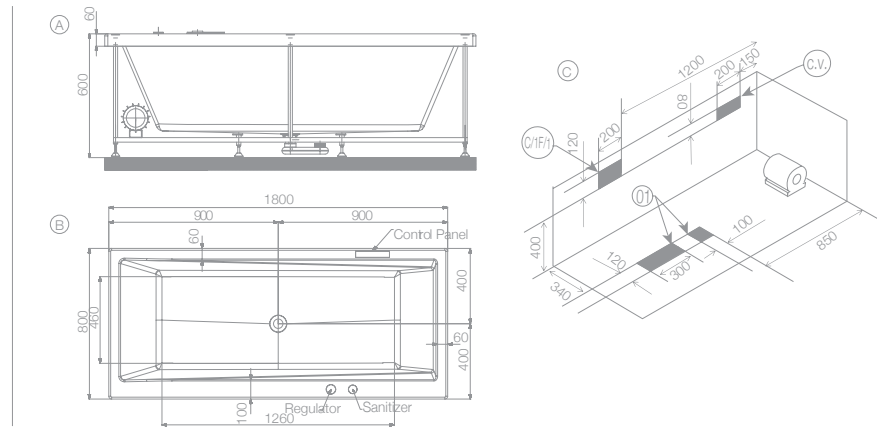
JWA-WHT-VGNTPSPX (Side Panel)



Disclaimer: Pictures shown are for illustration purposes only

Kubix

1800 x 800 x 470 mm



JWP-WHT-KUBIX180CX (Combi System)

Specifications



PMMA Sheet



PU Green Reinforcement



SS Frame



Level Sensor



Safety Vacuum Breaker



Keypad control



Overflow with drain & filler



Water Pump 1.4 HP



Slim water Jets 8



Back Jets-4



0.9 HPAir Blower



Air Jets 16



Air Regulator



Disinfection



Headrests



Chromotherapy

JWP-WHT-KUBIX180WX (Water System)

Specifications



PMMA Sheet



PU Green Reinforcement



SS Frame



Level Sensor



Safety Vacuum Breaker



Keypad control



Overflow with drain & filler



Water Pump 1.4 HP



Slim water Jets 8



Back Jets-4



Air Regulator



Disinfection



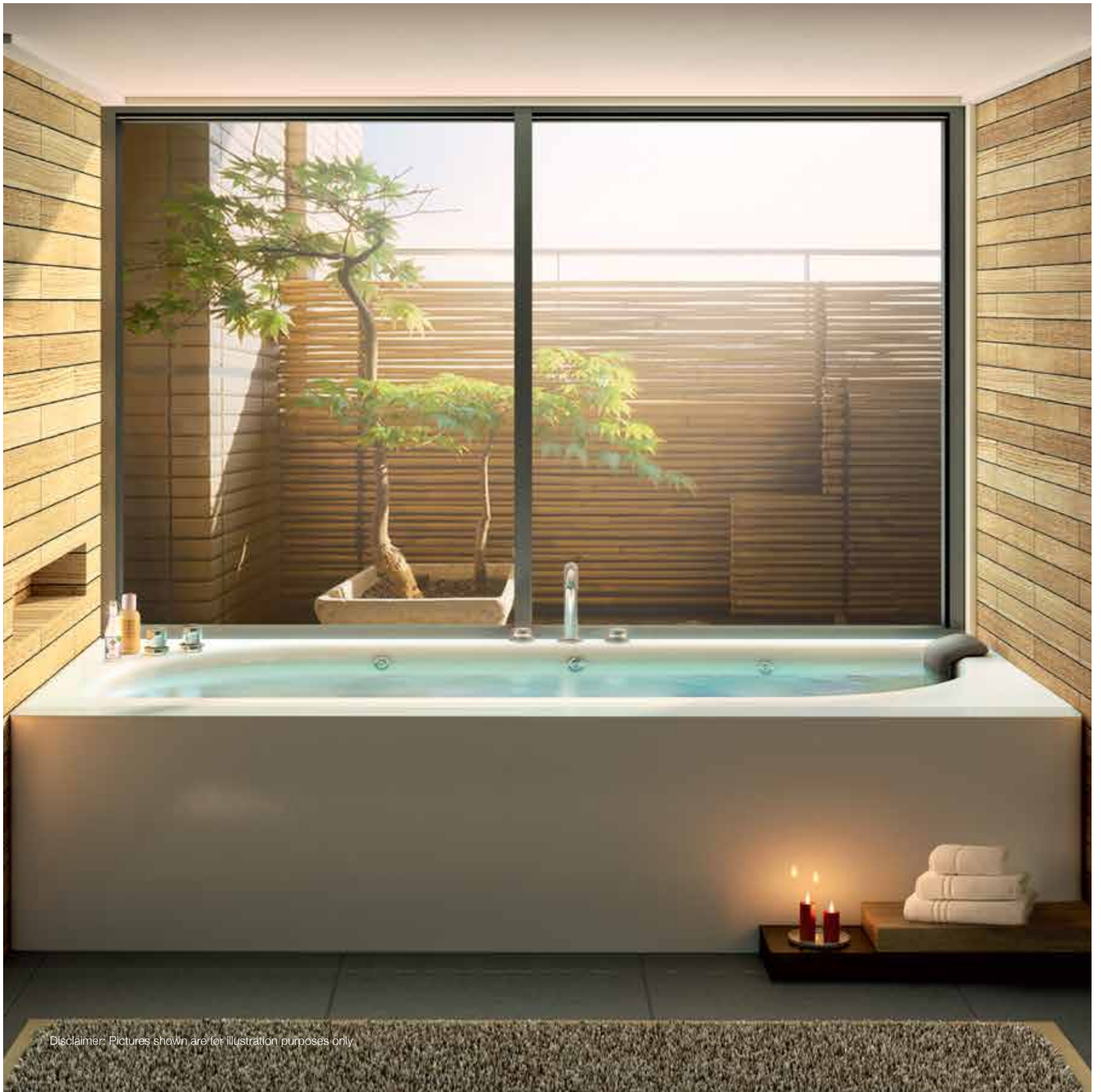
Headrests



Chromotherapy

JWA-WHT-FP180X (Front Panel)

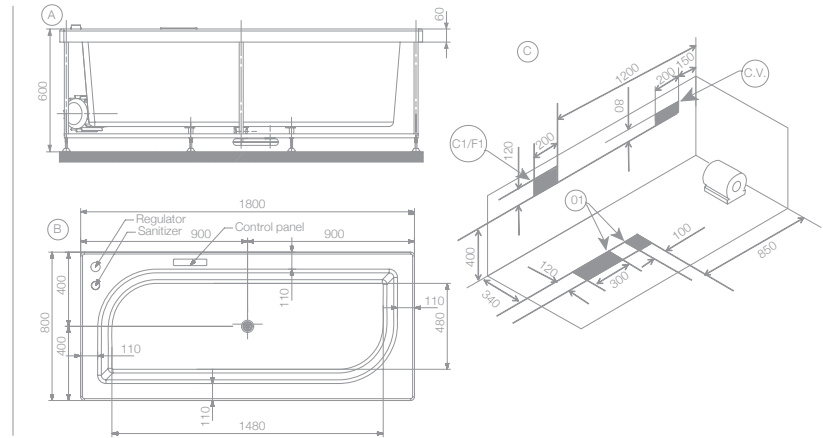
JWA-WHT-SP80X (Side Panel)



Disclaimer: Pictures shown are for illustration purposes only

Alive

1800 x 800 x 470 mm



JWP-WHT-ALIVE180CX (Combi System)

Specifications



PMMA Sheet



PU Green Reinforcement



SS Frame



Level Sensor



Safety Vacuum Breaker



Keypad control



Overflow with drain & filler



Water Pump 1.4 HP



Slim water Jets 8



Back Jets-4



0.9 HP Air Blower



Air Jets 12



Air Regulator



Disinfection



Headrests



Chromotherapy

JWP-WHT-ALIVE180WX (Water System)

Specifications



PMMA Sheet



PU Green Reinforcement



SS Frame



Level Sensor



Safety Vacuum Breaker



Keypad control



Overflow with drain & filler



Water Pump 1.4 HP



Slim water Jets 8



Back Jets-4



Air Regulator



Disinfection



Headrests



Chromotherapy

JWA-WHT-FP180X (Front Panel)

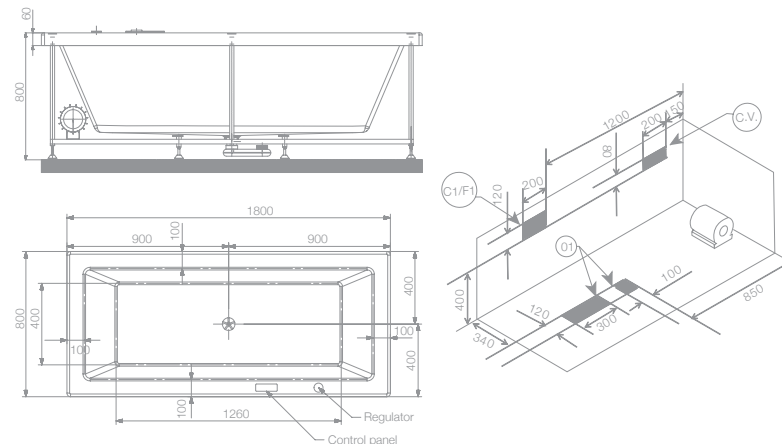
JWA-WHT-SP80X (Side Panel)



Disclaimer: Pictures shown are for illustration purposes only

Fonte

1800 x 800 x 450 mm



JWP-WHT-FONTE180CX (Combi System)

Specifications



PMMA Sheet



PU Green Reinforcement



SS Frame



Level Sensor



Safety Vacuum Breaker



Keypad control



Overflow with Drain pipe



Water Pump 1 HP



Slim water Jets 6



Back Jets-4



0.9 HP Air Blower



Air Jets 12



Air Regulator



Headrests



Chromotherapy

JWP-WHT-FONTE180WX (Water System)

Specifications



PMMA Sheet



PU Green Reinforcement



SS Frame



Level Sensor



Safety Vacuum Breaker



Keypad control



Overflow with Drain pipe



Water Pump 1 HP



Slim water Jets 6



Back Jets-4



Air Regulator



Headrests



Chromotherapy

JWA-WHT-FP180X (Front Panel)

JWA-WHT-SP80X (Side Panel)

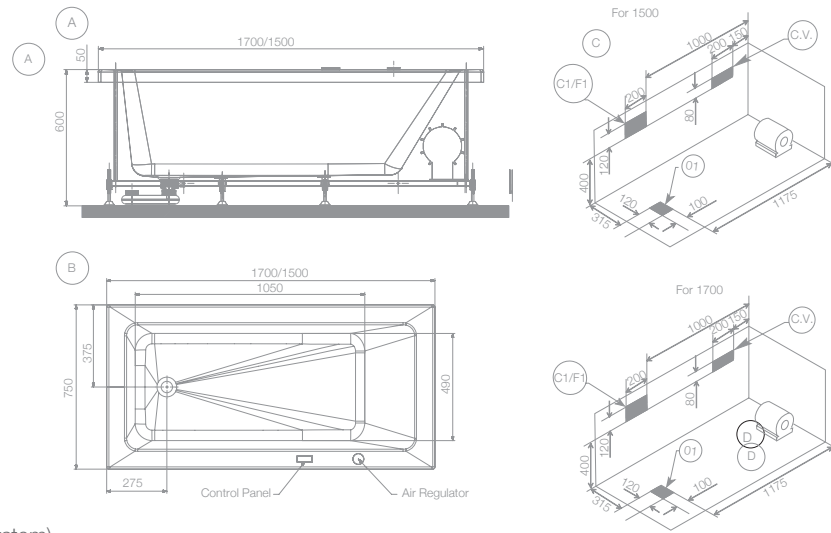


Disclaimer: Pictures shown are for illustration purposes only

Fonte

1700 x 750 x 420 mm

1500 x 750 x 420 mm



JWP-WHT-FONTE170CX / JWP-WHT-FONTE150CX (Combi System)

Specifications



PMMA Sheet



PU Green Reinforcement



SS Frame



Level Sensor



Safety Vacuum Breaker



Keypad control



Overflow with Drain pipe



Water Pump 1 HP



Slim water Jets 6



Back Jets-4



0.9 HP Air Blower



Air Jets 12



Air Regulator



Headrests



Chromotherapy

JWP-WHT-FONTE170WX / JWP-WHT-FONTE150WX (Water System)

Specifications



PMMA Sheet



PU Green Reinforcement



SS Frame



Level Sensor



Safety Vacuum Breaker



Keypad control



Overflow with Drain pipe



Water Pump 1 HP



Slim water Jets 6



Back Jets-4



Air Regulator



Headrests



Chromotherapy

JWA-WHT-FONTE170FPX / JWA-WHT-FONTE150FPX (Front Panels)

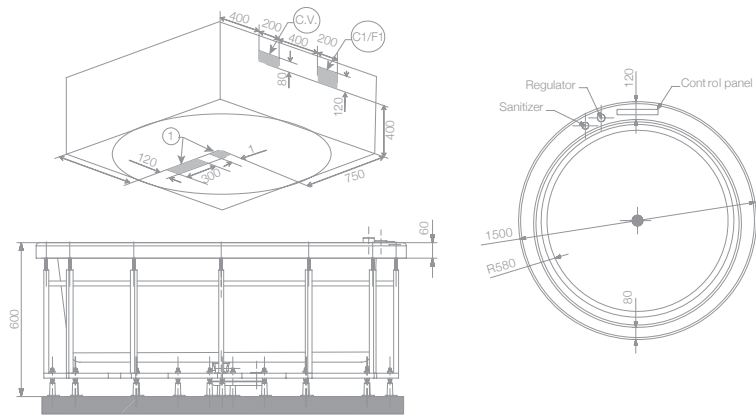
JWA-WHT-SP75X (Side Panel)



Disclaimer: Pictures shown are for illustration purposes only

Fonte-R

1500 X 1500 X 470 mm



JWP-WHT-POINT150CX (Combi System)

Specifications



PMMA Sheet



PU Green Reinforcement



SS Frame



Level Sensor



Safety Vacuum Breaker



Keypad control



Overflow with drain & filler



Water Pump 1.4 HP



Slim water Jets 8



0.9 HP Air Blower



Air Jets 12



Air Regulator



Disinfection



Chromotherapy

JWP-WHT-POINT150WX (Water System)

Specifications



PMMA Sheet



PU Green Reinforcement



SS Frame



Level Sensor



Safety Vacuum Breaker



Keypad control



Overflow with drain & filler



Water Pump 1.4 HP



Slim water Jets 8



Air Regulator



Disinfection



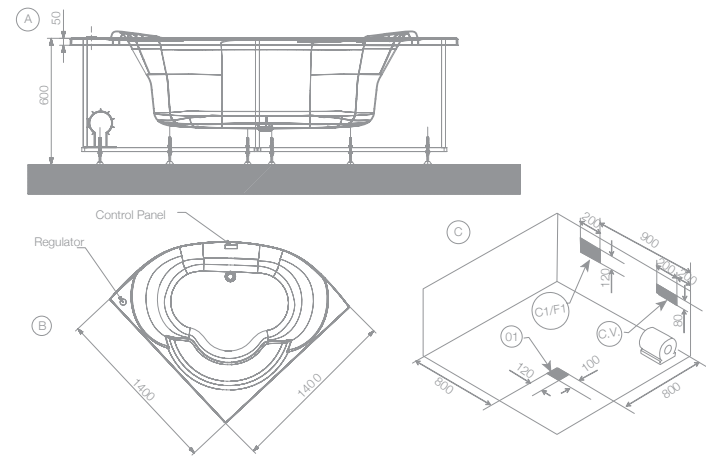
Chromotherapy



Disclaimer: Pictures shown are for illustration purposes only

Fusion

1400 X 1400 X 450 mm



JWP-WHT-GMI140CX (Combi System)

Specifications



PMMA Sheet



PU Green Reinforcement



SS Frame



Level Sensor



Safety Vacuum Breaker



Keypad control



Overflow with drain & filler



Water Pump 1 HP



Slim water Jets 8



Back Jets-4



0.9 HP Air Blower



Air Jets 12



Air Regulator



Disinfection



Headrests



Chromotherapy

JWP-WHT-GMI140WX (Water System)

Specifications



PMMA Sheet



PU Green Reinforcement



SS Frame



Level Sensor



Safety Vacuum Breaker



Keypad control



Overflow with drain & filler



Water Pump 1 HP



Slim water Jets 6



Back Jets-4



Air Regulator



Disinfection



Headrests



Chromotherapy

JWA-WHT-FUSNCPX (Angular Panel)

Whirlpools specification sheet

	Range Product Name	Arc ARC 1900X900	Kubix KUBIX 1800X800	Alive ALIVE 1800X800	D'Arc D'Arc 1800X1100	Vignette Prime 1900X900	Fonte R 1500X1500
	Size	1900X900	1800X800	180X800	1800X1100	1900X900	1500X1500
	Depth	470	470	470	470	470	470
	Material	PMMA	PMMA	PMMA	PMMA	PMMA	PMMA
	Reinforcement	PU Green Reinforcement	PU Green Reinforcement	PU Green Reinforcement	PU Green Reinforcement	PU Green Reinforcement	PU Green Reinforcement
Physical	Water jets	8	8	8	8	8	8
	Slim and flat Water jets	•	•	•	•	•	•
	Air jets	12	12	12	12	12	16
	Back jets	4	4	4	4	4	0
	Feet jets	0	0	0	0	0	0
	Pump water	1.4HP	1.4HP	1.4HP	1.4HP	1.4HP	1.4HP
	Air blower	0.90Hp	0.90Hp	0.90Hp	0.90Hp	0.90Hp	0.90Hp
	Chromotherapy	•	•	•	•	•	•
	White Light	X	X	X	X	X	X
	Headrest	•	•	•	•	•	X
Safety	Overflow with drain & filler	•	•	•	•	•	•
	3 Tier Testing	•	•	•	•	•	•
	Steel Frame	SS202	SS202	SS202	SS202	SS202	SS202
Hygiene	Sanitization/System Clean	•	•	•	•	•	•
	Food Grade Pipe	•	•	•	•	•	•
	Bow shape Pipes	•	•	•	•	•	•
	Level sensor	•	•	•	•	•	•
	Self drainage system	•	•	•	•	•	•
Control	Digital	•	•	•	•	•	•
	Cross	X	X	X	X	X	X

Warranty Table

	Range	Arc	Kubix	Alive	D'Arc	Vignette Prime	Fonte R
Warranty	Product Name	ARC 1900X900	KUBIX 1800X800	ALIVE 1800X800	D'Arc 1800X1100	1900X900	1500X1500
	Body	5	5	5	5	5	5
	Electrical	2	2	2	2	2	2
	Jets	5	5	5	5	5	5

Note: • Symbol indicate that particular feature is available in that product.
X Symbol indicate that particular Feature is not available in that product.

Whirlpools specification sheet

	Range Product Name	Fonte 1800X800	Fusion 1400X1400	Fonte Fonte 1500x750	Fonte Fonte 1700x750	Kubix Prime D'Arc 1800X1100
	Size	1800X800	1400X1400	1500x750	1700x750	1800X1100
	Depth	450	450	420	420	480
	Material	PMMA	PMaMA	PMMA	PMMA	PMMA
	Reinforcement	PU Green Reinforcement	PU Green Reinforcement	PU Green Reinforcement	PU Green Reinforcement	PU Green Reinforcement
Physical	Water jets	6	6	6	6	8
	Slim and flat Water jets	•	•	•	•	•
	Air jets	12	12	12	12	16
	Back jets	4	4	4	4	4
	Feet jets	0	0	0	0	0
	Pump water	1.0HP	1.0HP	1HP	1HP	1.4HP
	Air blower	0.90Hp	0.90Hp	0.90Hp	0.90Hp	0.90Hp
	Chromotherapy	•	•	•	•	•
	White Light	X	X	X	X	X
	Headrest	•	•	•	•	•
Safety	Overflow with drain & filler	X	•	X	X	•
	3 Tier Testing	•	•	•	•	•
	Steel Frame	SS202	SS202	SS202	SS202	SS202
	Sanitization/System Clean	X	X	X	X	•
Hygiene	Food Grade Pipe	•	•	•	•	•
	Bow shape Pipes	•	•	•	•	•
	Level sensor	•	•	•	•	•
	Self drainage system	•	•	•	•	•
Control	Digital	•	•	•	•	•
	Cross	X	X	X	X	X

Warranty Table

	Range	Fonte	Fusion	Fonte	Fonte	Kubix Prime
	Product Name	1800X800	1400X1400	Fonte 1500x750	Fonte 1700x750	Kubix Prime 1800X1100
Warranty	Body	5	5	5	5	5
	Electrical	2	2	2	2	2
	Jets	5	5	5	5	5

Note: • Symbol indicate that particular feature is available in that product.
X Symbol indicate that particular Feature is not available in that product.



Freestanding Bathtubs

Bathtubs are for more than just bathing. They can be an oasis of peace and calm. Jaquar's freestanding bathtubs set the mood perfectly for those precious moments of relaxation with their beautiful lines and curves, which invite you to step in and indulge yourself at the end of a long day. For those who have the luxury of space in their bathroom, a chic, freestanding Jaquar bathtub placed away from the walls makes a stunning statement of style and class.





Disclaimer: Pictures shown are for illustration purposes only.

Queens

1702 x 787 x 434/615 mm



JBT-WHT-FSBTMAD1778: Free Standing Bath Tub
with **Chrome** Over Flow, Drain & Legs

JBT-WHT-FSBTMAD1778G: Free Standing Bath Tub
with **Gold** Over Flow, Drain & Legs

Specifications



Free standing
bathtub



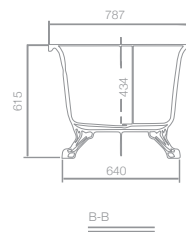
Lucite acrylic
sheet



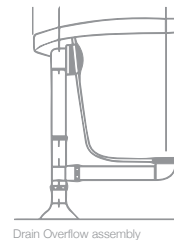
Overflow
& wast



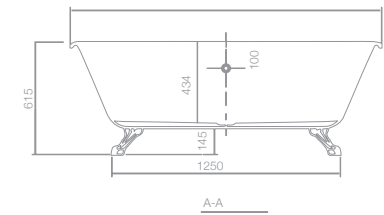
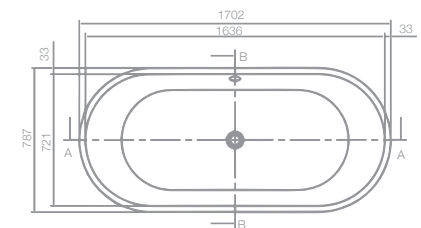
Zinc alloy
legs / feet



B-B



Drain Overflow assembly



A-A



Disclaimer: Pictures shown are for illustration purposes only

Alaska

1712 x 760 x 440/580 mm



JBT-WHT-FSBT177542X :
Free Standing Bath Tub
with Over Flow & Drain

Specifications



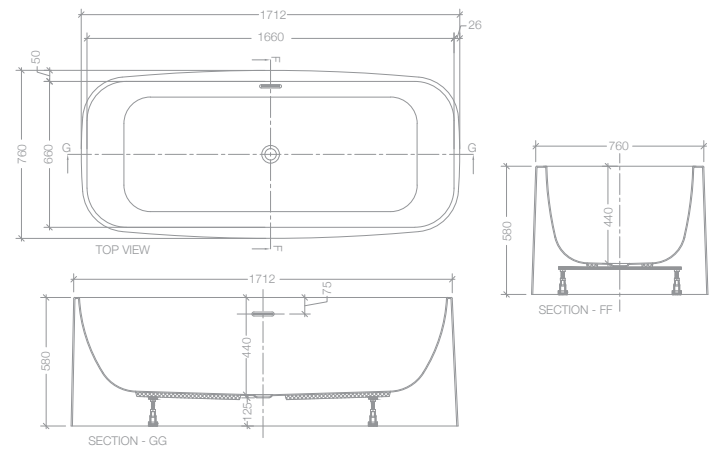
Free standing
bathtub



Lucite acrylic
sheet



Overflow
& drain





Disclaimer: Pictures shown are for illustration purposes only

Saipan

1690 x 800 x 445/565 mm



JBT-WHT-FSBT177544X :
Free Standing Bath Tub
with Over Flow & Drain

Specifications



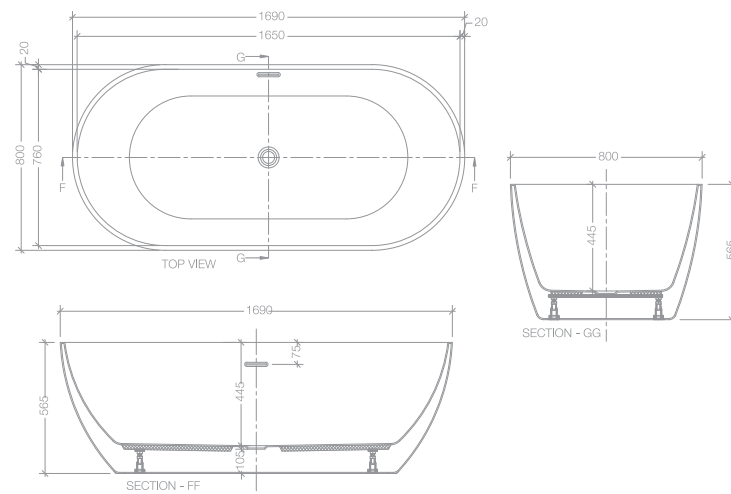
Free standing
bathtub



Lucite acrylic
sheet



Overflow
& drain





Disclaimer: Pictures shown are for illustration purposes only

Eggy

1700 x 850 x 450/580 mm



JBT-WHT-FSBTPB278X:
Free Standing Bath Tub
with Over Flow & Drain

Specifications



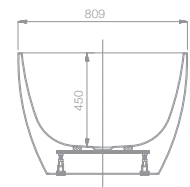
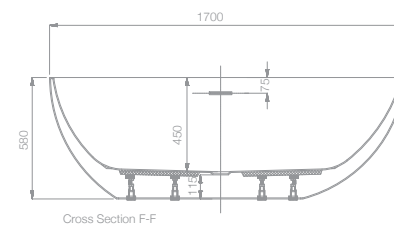
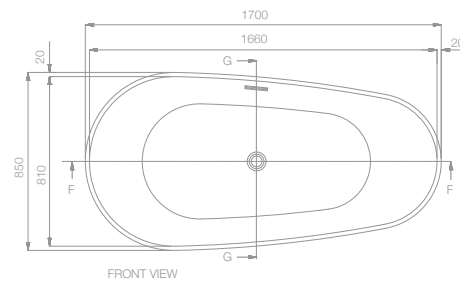
Free standing
bathtub



Lucite acrylic
sheet



Overflow
& drain



Cross Section G-G



Disclaimer: Pictures shown are for illustration purposes only

Julia

1715 x785 x 400/560 mm



JBT-WHT-FSBT177840X:
Free Standing Bath Tub
with Over Flow & Drain

Specifications



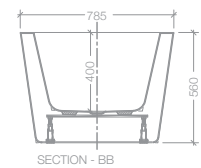
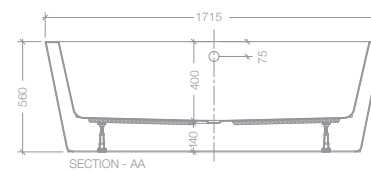
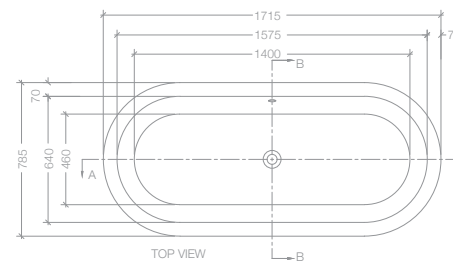
Free standing
bathtub



Lucite acrylic
sheet



Overflow
& drain



*560 mm is the outer size





Built-in Bathtubs

The more common and practical choice in bathtubs, the built-in or 'drop-in' bathtub is preferred wherever space is at a premium. Because they are placed adjacent to a wall and tucked away, built-in bathtubs are space-economical and can also offer additional storage on the surrounding ledges or the walls next to them. Perfect for placing an aromatic candle or two while you soak in the bubble bath and unwind!



Disclaimer: Pictures shown are for illustration purposes only

Arc

1900 x 900 x 470 mm



JBT-WHT-ARC190X: Built-in Bathtub

Specifications



PMMA
Sheet



PU Green
Reinforcement

JWA-WHT-ARCFPX: Front Panels

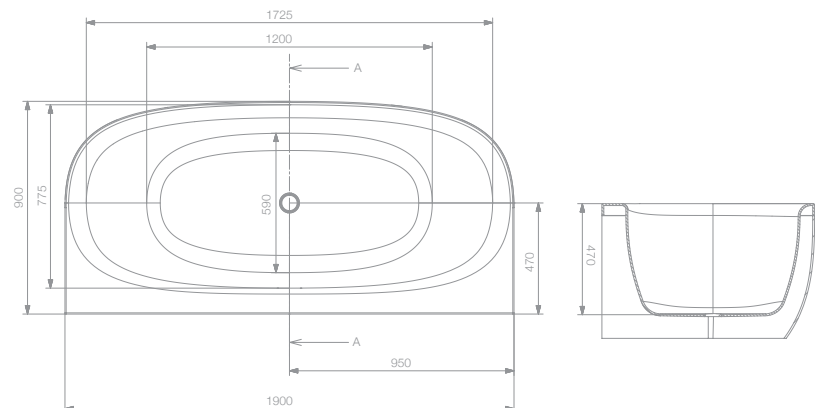
JWA-WHT-ARCSPX: Side Panels

JWA-BLK-FRARC190X90: Frame

IWA-CHR-ACC00510X: Legs

JWA-CHR-132201: Drain pipe with overflow & filler

JWA-CHR-DRNPIPE80: Drain pipe with overflow



** In case of one side wall installation 2 side panels and one front panel is must for installation.



Disclaimer: Pictures shown are for illustration purposes only

Kubix Prime

1800 x 1100 x 470 mm



JBT-WHT-KUBIXP180X: Built-in Bathtub

Specifications



PMMA
Sheet



PU Green
Reinforcement

JWA-WHT-FP180X: Front Panel

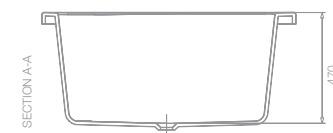
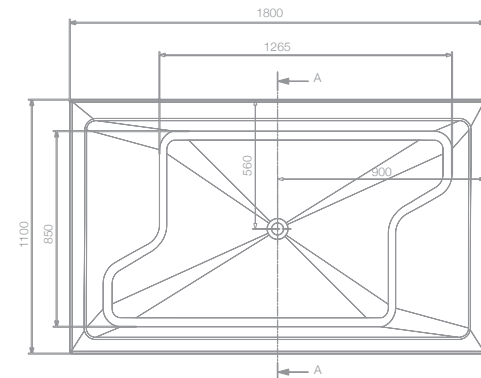
JWA-WHT-SP110X: Side Panel

JWA-CHR-132401: Drain Pipe 900mm with overflow & filter

JWA-CHR-DRNPIPE100: Drain Pipe 1000mm with overflow

IWA-CHR-ACC00510X: Base Europa Kit

JWA-BLK-FRAME180x110: Powder Coated MS Frame



Note: Drain pipe/Europa kit are mandatory products for installation of all the bathtubs. Accessories shown in the image are not a part of the product



Disclaimer: Pictures shown are for illustration purposes only

Fonte

1500 x 750 x 420 mm



JBT-WHT-FONT150X: Built-in Bathtub

Specifications



PMMA
Sheet



PU Green
Reinforcement

JBT-WHT-FONT150X: Built-in Bathtub

JWA-WHT-FONT150FPX: Front Panels

JWA-WHT-SP75X: Side Panels

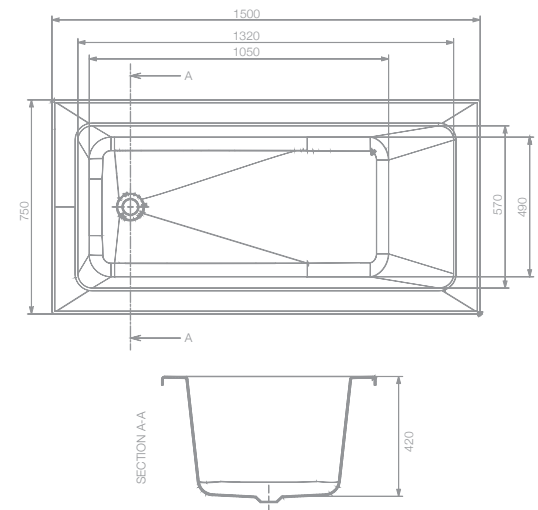
JWA-CHR-DRNPIPE70: (Drain Pipe)* with Overflow

JWA-CHR-DRNPIPE80: Drain Pipe with Overflow

JWA-CHR-132201: Drain Pipe with Overflow & Filler

JWA-BLK-FFONTE 150x75: Powder Coated MS Frame

IWA-CHR-ACC00510X: Base Europa Kit



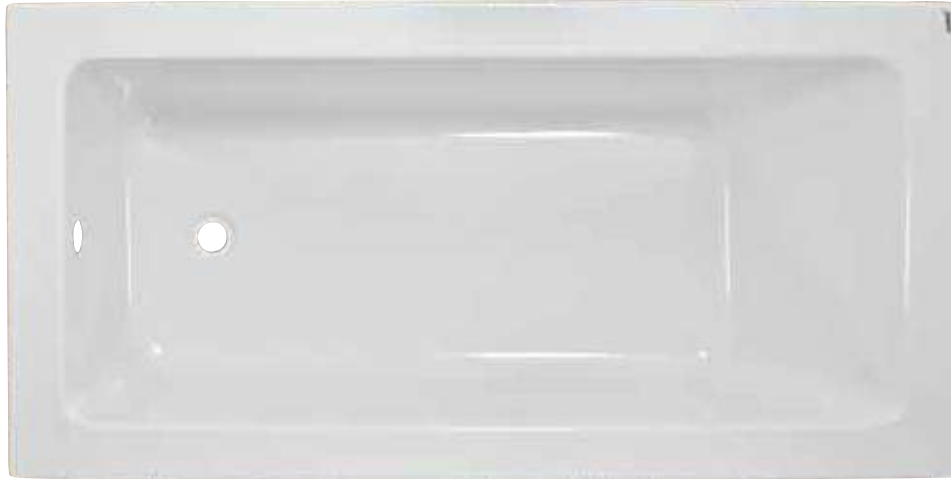
Note: Drain pipe/Europa kit are mandatory products for installation of all the bathtubs. Accessories shown in the image are not a part of the product



Disclaimer: Pictures shown are for illustration purposes only

Fonte

1700 x 750 x 420 mm



JBT-WHT-FONT170X: Built In Bathtub

Specifications



PMMA
Sheet



PU Green
Reinforcement

JBT-WHT-FONT170FPX: Front Panel

JBT-WHT-FONT170SPX: Side Panel

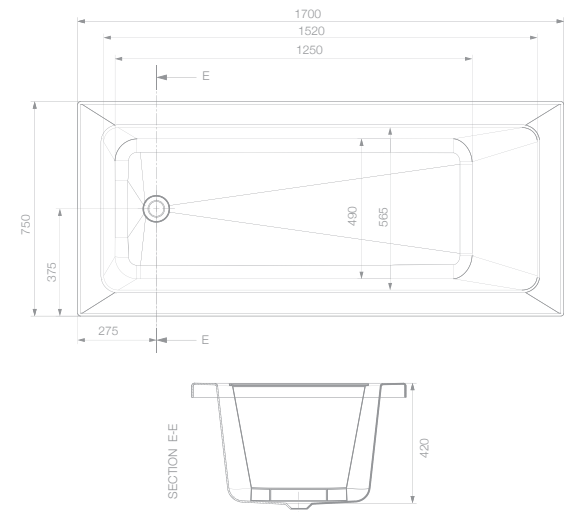
JWA-CHR-DRNPIPE70: (Drain Pipe)* with overflow

JWA-CHR-DRNPIPE80: Drain Pipe 800mm with overflow

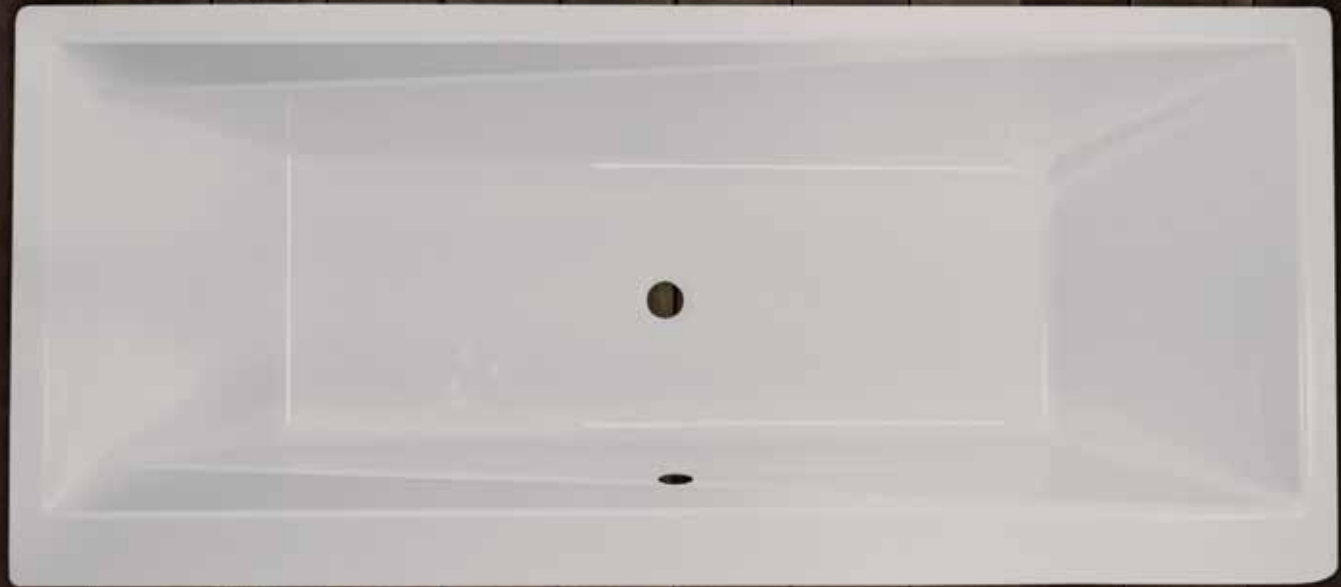
JWA-CHR-132201: Drain Pipe with Overflow & Filler

IWA-CHR-ACC00510X: Base Europa Kit

JWA-BLK-FFONTE170 x 75: Powder Coated MS Frame



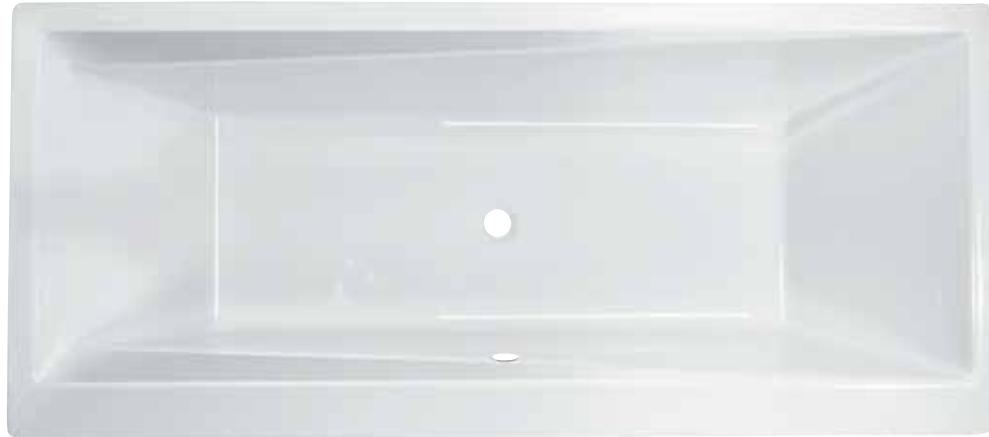
Note: Drain pipe/Europa kit are mandatory products for installation of all the bathtubs. Accessories shown in the image are not a part of the product



Disclaimer: Pictures shown are for illustration purposes only

Kubix

1800 x 800 x 470 mm



JBT-WHT-KUBIX180X: Built-in Bathtub

Specifications



PMMA
Sheet



PU Green
Reinforcement

JWA-WHT-FP180X: Front Panel

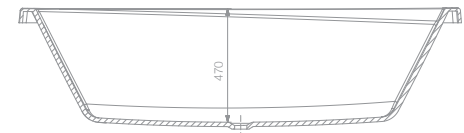
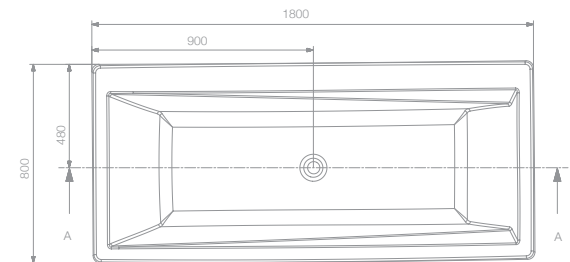
JWA-WHT-SP80X: Side Panel

JWA-CHR-132201: Drain Pipe with Overflow & Filler

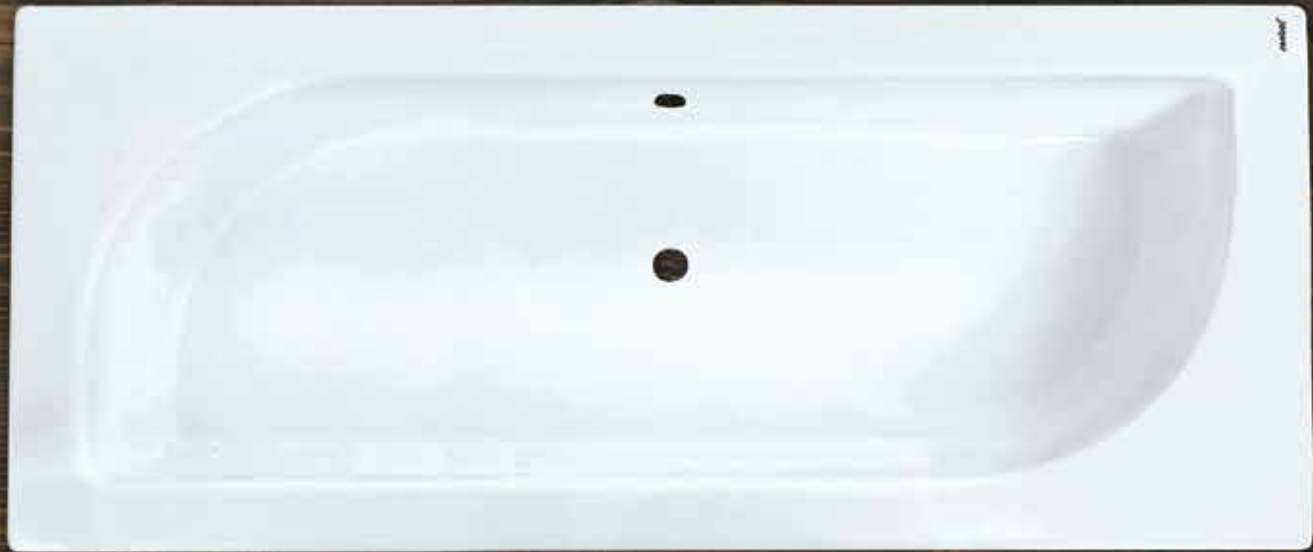
JWA-CHR-DRNPIPE80: Drain Pipe 800mm with overflow

IWA-CHR-ACC00510X: Base Europa Kit

JWA-BLK-FRAME 180 x 80: Powder Coated MS Frame



Note: Drain pipe/Europa kit are mandatory products for installation of all the bathtubs. Accessories shown in the image are not a part of the product



Disclaimer: Pictures shown are for illustration purposes only

Alive

1800 x 800 x 470 mm



JBT-WHT-ALIVE180X: Built-in Bathtub

Specifications



PMMA
Sheet



PU Green
Reinforcement

JWA-WHT-FP180X: Front Panel

JWA-WHTSP80X: Side Panel

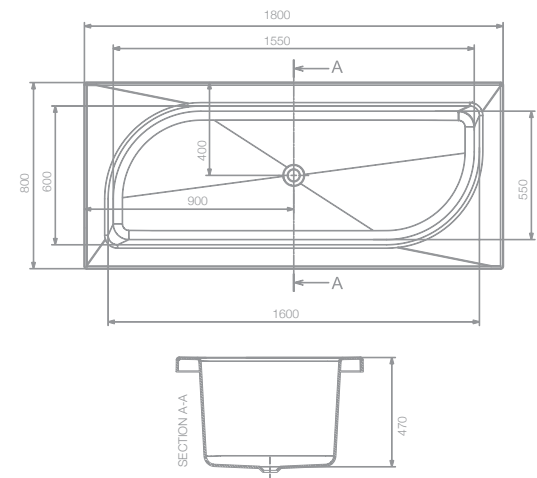
JWA-CHR-132201: Drain Pipe with Overflow & Filter

JWA-CHR-DRNPIPE80: Drain Pipe size 800mm with Overflow

JBT-WHT-ALIVE180X: Built-in Bathtub

IWA-CHR-ACC00510X: Base Europa Kit

JWA-BLK-FRAME 180 x 80: Powder Coated MS Frame



Note: Drain pipe/Europa kit are mandatory products for installation of all the bathtubs. Accessories shown in the image are not a part of the product



Disclaimer: Pictures shown are for illustration purposes only

D'Arc

1800 x 1100 x 470 mm



JBT-WHT-DARC180X: Built-in Bathtub

Specifications



PMMA
Sheet



PU Green
Reinforcement

JWA-WHT-DARCSPX: Side Panel

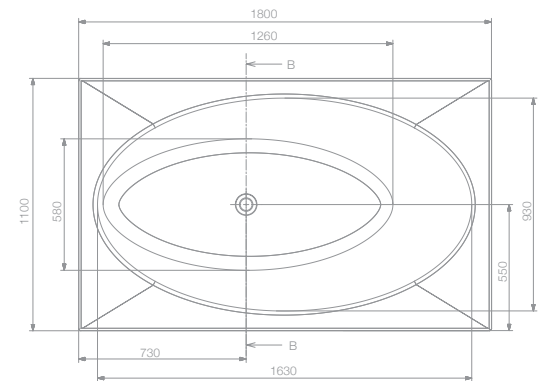
JWA-WHT-DARCFPX: Front Panel

JWA-CHR-132401: Drain Pipe with Overflow & Filler

JWA-CHR-DRNPIPE100: Drain Pipe 100 cm with Overflow

IWA-CHR-ACC00510X: Base Europa Kit

JWA-BLK-FRAME 180 x 110: Powder Coated MS Frame



SECTION B-B

Note: Drain pipe/Europa kit are mandatory products for installation of all the bathtubs. Accessories shown in the image are not a part of the product



Disclaimer: Pictures shown are for illustration purposes only

Fonte-R

1500 x 1500 x 470 mm



JBT-WHT-FONTR150X: Built-in Bathtub

Specifications



PMMA
Sheet



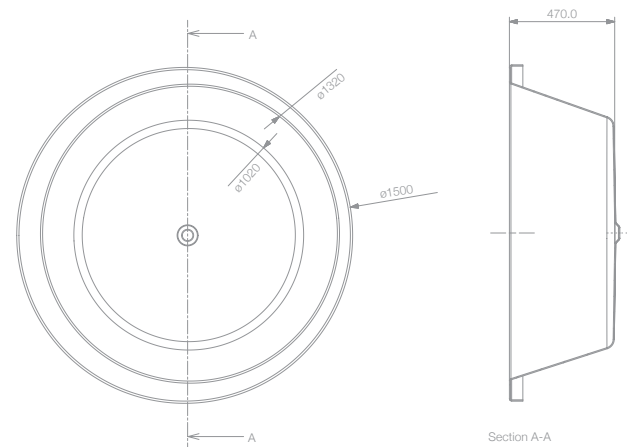
PU Green
Reinforcement

JWA-CHR-132401: Drain Pipe with Overflow & Filler

JWA-CHR-DRNPIPE100: Drain Pipe 100 cm with Overflow

IWA-CHR-ACC00510X: Base Europa Kit

JWA-BLK-FFONTR150 : Powder Coated MS Frame



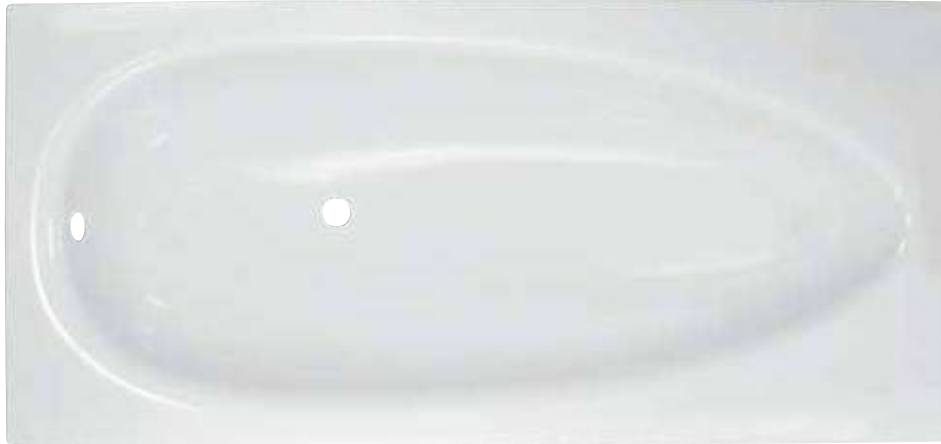
Note: Drain pipe/Europa kit are mandatory products for installation of all the bathtubs. Accessories shown in the image are not a part of the product



Disclaimer: Pictures shown are for illustration purposes only

Vignette Prime

1900 x 900 x 470 mm



JBT-WHT-VGNTTP190X: Built-in Bathtub

Specifications



PMMA
Sheet



PU Green
Reinforcement

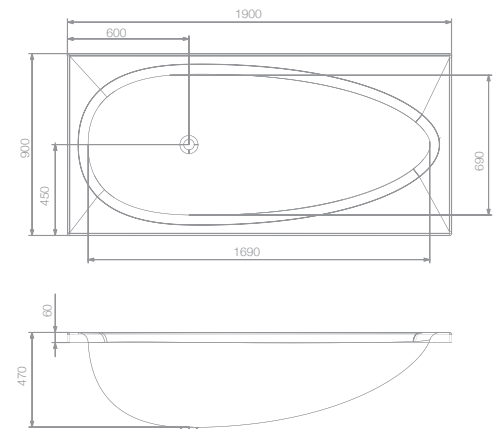
JWA-WHT-VGNTPPFX: Front Panel

JWA-WHT-VGNTPSPX: Side Panel

JWA-CHR-132201: Drain Pipe with Overflow & Filter

JWA-CHR-DRNPIPE80: Drain Pipe 800mm with Overflow

JWA-BLK-FVGNTTP190 x 90: Powder Coated MS Frame



Note: Drain pipe is a mandatory product for installation of all the bathtubs. Accessories shown in the image are not a part of the product



Disclaimer: Pictures shown are for illustration purposes only

Fonte

1800 x 800 x 450 mm



JBT-WHT-FONT180X: Built In Bathtub

Specifications



PMMA
Sheet



PU Green
Reinforcement

JWA-WHT-FP180X: Front Panel

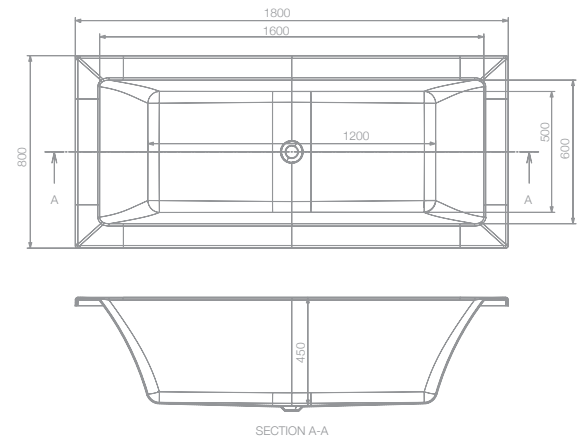
JWA-WHT-SP80X: Side Panel

JWA-CHR-132201: Drain Pipe with Overflow & Filler

JWA-CHR-DRNPIPE80: Drain Pipe 800 mm with Overflow

IWA-CHR-ACC00510X: Base Europa Kit

JWA-BLK-FRAME 180 x 80: Powder Coated MS Frame



Note: Drain pipe/Europa kit are mandatory products for installation of all the bathtubs. Accessories shown in the image are not a part of the product



Disclaimer: Pictures shown are for illustration purposes only

Fusion

1400 x 1400 x 450 mm



JBT-WHT-FUSN140X: Built-in Bathtub

Specifications



PMMA
Sheet



PU Green
Reinforcement

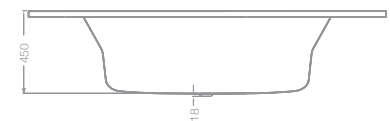
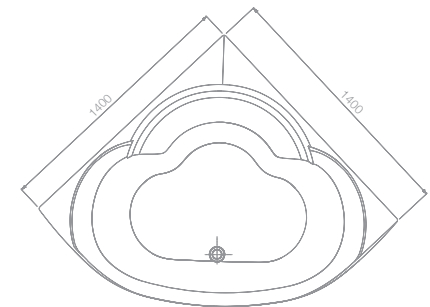
JWA-WHT-FUSNCPX: Angular Panel & Fitting

JWA-CHR-132201: Drain Pipe with Overflow & Filler

JWA-CHR-DRNPIPE80: Drain Pipe 800 mm with Overflow

IWA-CHR-ACC00510X: Base Europa Kit

JWA-BLK-FFUSN140 x 140: Powder Coated MS Frame



Note: Drain pipe/Europa kit are mandatory products for installation of all the bathtubs. Accessories shown in the image are not a part of the product



Bathtub Fillers

Available in a range of designs to coordinate with the rest of the fixtures, Jaquar's bathtub fillers offer deck mounted and wall mounted options with convenient thermostatic controls, and a choice of telephone hand showers too.

Florentine



FLR-CHR-5095N

Bathtub Filler consisting of 2 control cocks and one spout, 20mm cartridge size

Florentine



FLR-CHR-5677

4-hole Thermostatic bath & shower mixer, deck mounted

Solo



SOL-CHR-6095

Bathtub Filler consisting of 2 control cocks and one spout, 20mm cartridge size

Solo



SOL-CHR-6271

Bathtub Mixer (Exposed adjustable legs) with telephone shower arrangement and crutch

Queen's



QQT-CHR-7095

Bathtub Filler consisting of 2 control cocks and one spout

Queen's



QQT-CHR-7277

4-Hole Bathtub Mixer Consisting of 2 No. Control Cocks, 1 Spout, 1 Telephone Shower With 8mm Dia. & 1.5m Long Flexible Tube

Continental



CON-CHR-271KN

Bathtub Mixer (Exposed Adjustable Legs) With Telephone Shower Arrangement & Crutch



Accessories

When it comes to the perfect wellness zone in your home, it's the small things that make a big difference. Jaquar's Accessories range for wellness products ensures that everything works just right for you to extract the maximum benefit from your wellness solution.

Drain Pipe



JWA-CHR-132201

(Drain Pipe)* with Overflow & Filler Drain Pipe 80 cm with Overflow Filler for Kubix, Alive, Fonte, Vignette Prime, Fusion & Arc

Available in: Chrome



JWA-CHR-132401

Drain Pipe For (D'Arc, Kubix Prime & Fonte R)* with Overflow & Filler
Drain Pipe 90 cm with Overflow Filler for Fonte R, Kubix Prime & Darc

Available in: Chrome



JWA-CHR-DRNPIPE70

Drain pipe with over flow system 70 - 80 mm for jaquar whirlpool 150X75, 170X75, 180X80 & 190 X90

JWA-CHR-DRNPIPE80

Drain Pipe 80 cm with Overflow For Kubix, Alive, Fonte, Vignette Prime, Fusion & Arc

Also available

JWA-CHR-DRNPIPE100

Drain Pipe 100 cm with Overflow For Fonte R, Kubix Prime & Darc

Available in: Chrome

Headrest Sophi



JWA-BLK-HRSP120GAC06

Headrest Sophi For (Vignette/D'Arc/Fusion/Arc) Jaquar Whirlpool

Available in: Black

Headrest Comfort



JWA-BLK-HRCP750GAC06

Headrest Comfort For Jaquar Whirlpool Kubix/Fonte/Alive

Available in: Black

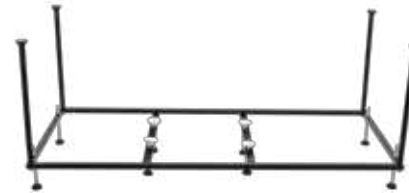
Base Europa Kit for Bathtubs



IWA-CHR-ACC00510X

Base Europa kit

MS Frame



JWA-BLK-FRAME180X80: Powder Coated MS Frame Suitable for Kubix / Alive / Fonte Bathtub 180 X 80

JWA-BLK-FFONTE170X75: Powder Coated MS Frame Suitable for Fonte Bathtub 170 X 75

JWA-BLK-FFONTE150X75: Powder Coated MS Frame Suitable for Fonte Bathtub 150 X 75

JWA-BLK-FRAME180X110: Powder Coated MS Frame Suitable for Kubix Prime / D'Arc Bathtub 180 X 110

JWA-BLK-FVGNTP190X90: Powder Coated MS Frame Suitable for Vignette Prime Bathtub 190 X 90

JWA-BLK-FFUSN140X140: Powder Coated MS Frame Suitable for Fusion Bathtub 140 X 140

JWA-BLK-FFONTR150: Powder Coated MS Frame Suitable for Fonte "R" Bathtub 150 X 150



Steam Solutions

For those seeking wellness in the comfort of their homes, a Jaquar steam solutions is a great way to enjoy the benefits of humidifying water vapour from a high-quality steam generator.

Why Steam Solutions?

Features

Absolute Quality of Materials

Jaquar hydromassage showers are made of co-extruded acrylic, which does not discolour and has a long life. This hygienic material, together with the smooth surfaces and tempered glass shower enclosures, makes cleaning an easy part of the product experience.

Advantages:

Stability and Mechanical Resistance

Jaquar shower boxes are characterised by stability and solidity thanks to the zinc-plated steel frame that ensures maximum rigidity of all the components. Stability and mechanical resistance are also the attributes of the shower tray reinforcement.

Easy Installation

The installation of the shower boxes is as easy as it can be: the metal frame carries the elements and is simply put together.

Digital Control

It allows you to manage all manual control functions including sequential back rain jets, back jets, waterfall cervical massage, duration of vertical hydromassage, steam bath function, light, radio and white LED lighting

Control Units

All the hydromassage shower functions can be simply adjusted through easy-to-use control units.

Manual Control

It allows you to manage the shower head and vertical jets, as well as activate the steam-bath function.

Benefits:**Clearer skin**

Steam showers have the ability to unclog pores and remove deeply trapped congestion from under the surface of the skin

Infection treatment

A major benefit of regular steam showers is relief from respiratory infections

Increased circulation

Steam showers are an excellent way to naturally boost circulation throughout the body. Increased circulation brings more oxygen to cells and decreases the risk of hypertension, hardened arteries and muscle function

Stress relief

One of the most powerful benefits of steam showers is their ability to reduce both physical and mental stress



Disclaimer: Pictures shown are for illustration purposes only

MID Series

Steam Generator

JSG-WHT-NMID40 Steam Generator Without Digital Control Panel- 4 kW 425x160x315 mm

JSG-WHT-NMID60 Steam Generator Without Digital Control Panel- 6 kW 425x160x315 mm

JSG-WHT-NMID90 Steam Generator Without Digital Control Panel- 9 kW 475x185x450 mm

JSG-WHT-NMID120 Steam Generator Without Digital Control Panel- 12 kW 475x185x450 mm

JSG-WHT-NMID150 Steam Generator Without Digital Control Panel- 15 kW 510x185x460 mm

JSG-WHT-NMID180 Steam Generator Without Digital Control Panel- 18 kW 15 kW 510x185x460 mm

JSG-WHT-NMID225 Steam Generator Without Digital Control Panel- 22.5 kW 15 kW 510x185x460 mm

JSG-WHT-NMID240 Steam Generator Without Digital Control Panel- 24 kW 15 kW 510x185x460 mm



Specifications



Touch button display



IP67 rating for display



Temperature setting



Auto water inlet



Auto drain



Auto power off



Stainless steel body



Heating Element



Water processor



Newly designed steam nozzle



Over heat protection



Pressure safety value

Control Plates



JSG-WHT-CPSQUARE



JSG-BLK-CPSQUARE



JSG-WHT-CPROUND



JSG-BLK-CPROUND

JSG-WHT-CPSQUARE Control Panel For Jaquar Steam Generator (White) 103x103 mm

JSG-BLK-CPSQUARE Control Panel For Jaquar Steam Generator (Black) 103x103 mm

JSG-WHT-CPROUND Control Panel For Jaquar Steam Generator (White) 89 mm Dia

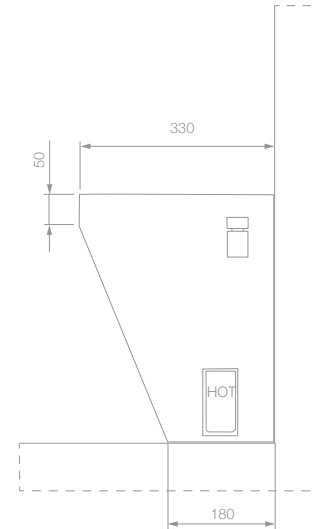
JSG-BLK-CPROUND Control Panel For Jaquar Steam Generator (Black) 89 mm Dia



Disclaimer: Pictures shown are for illustration purposes only

Smart Vapour

600 x 330 x 420 mm



JSG-BLK-PIUVAP5000ST
Jaquar Smart Vapour

Specifications



4.5 kW
Single phase
connection



Press
button Start



Vapour Sealed
Chromotherapy



Aroma
therapy



Built in
seating area



Quadrilateral
Design



Inspired by
straight lines



Auto
Drain – 20 min.



Overheat
protection



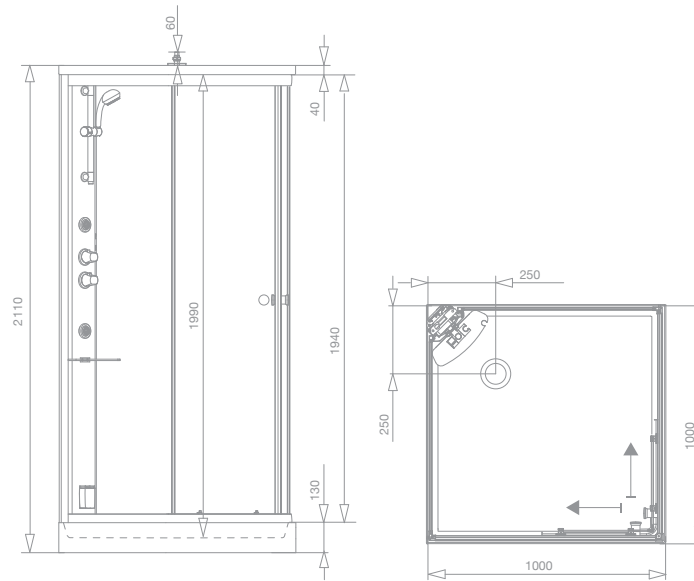
IP 44
Rating



Disclaimer: Pictures shown are for illustration purposes only

Archimede

1000 x 1000 x 2100 mm (Square)



GSB-WHT-TU000B1H5TX
Archimede Steam Cabin (Square)

Specifications



Square version
shower,
steam



Self standing
Box
(corner /wall)



Shower tray and
roof with integrated
showerhead
300 mm



Aluminum shower
column with 2
integrated round
Jets



Shower
Rail



Thermostatic
mixer with
diverter



Hand shower
and shelf



Chromotherapy



Bluetooth music
system



Sliding door
shower enclosure



Tempered
glass 5 mm



Steam function
2.7 kw



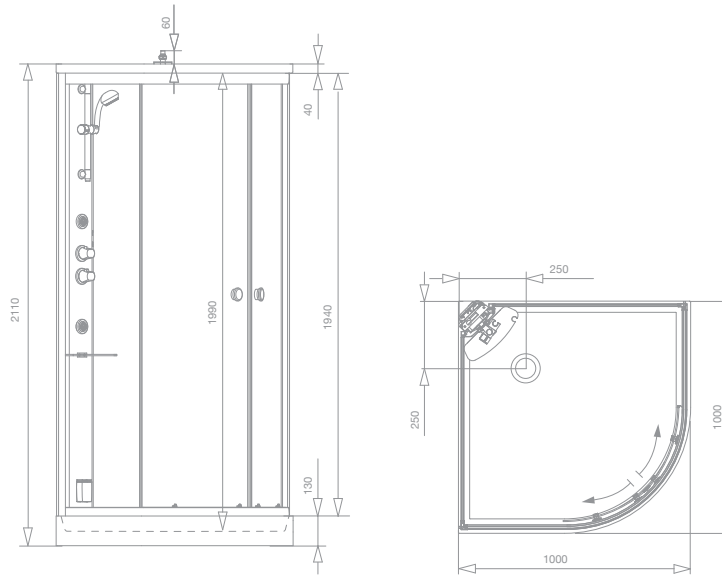
Aroma
therapy



Disclaimer: Pictures shown are for illustration purposes only

Archimede

1000 x 1000 x 2100 mm (Corner)



GSB-WHT-UM000B1H5TX

Specifications



Corner version
shower,
steam



Self standing
Box
(corner /wall)



Shower tray and
roof with integrated
showerhead
300 mm



Aluminum shower
column with 2
integrated round
Jets



Shower
Rail



Thermostatic
mixer with
diverter



Hand shower
and shelf



Chromotherapy



Bluetooth music
system



Sliding door
shower enclosure



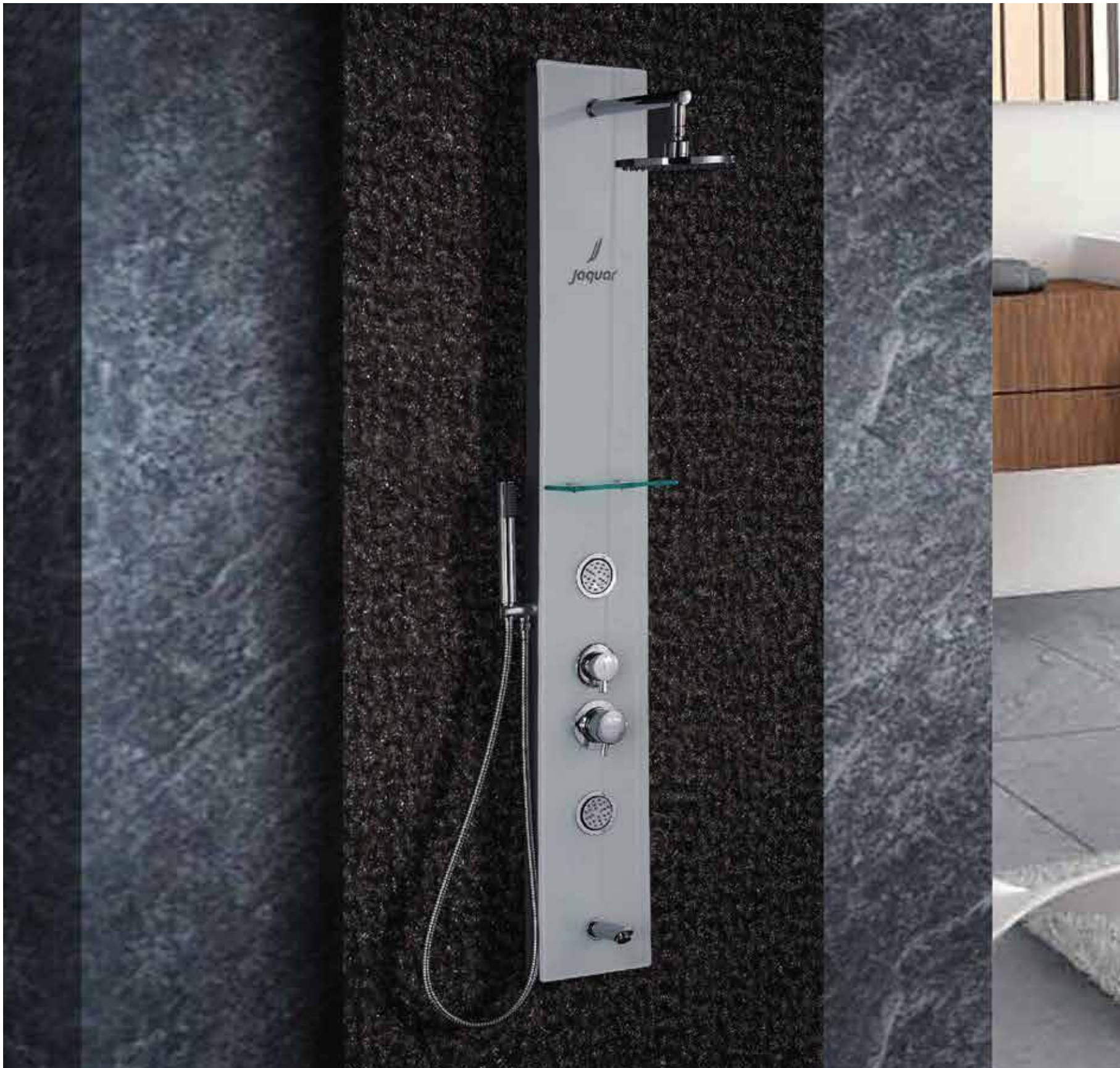
Tempered
glass 5 mm



Steam function
2.7 kw



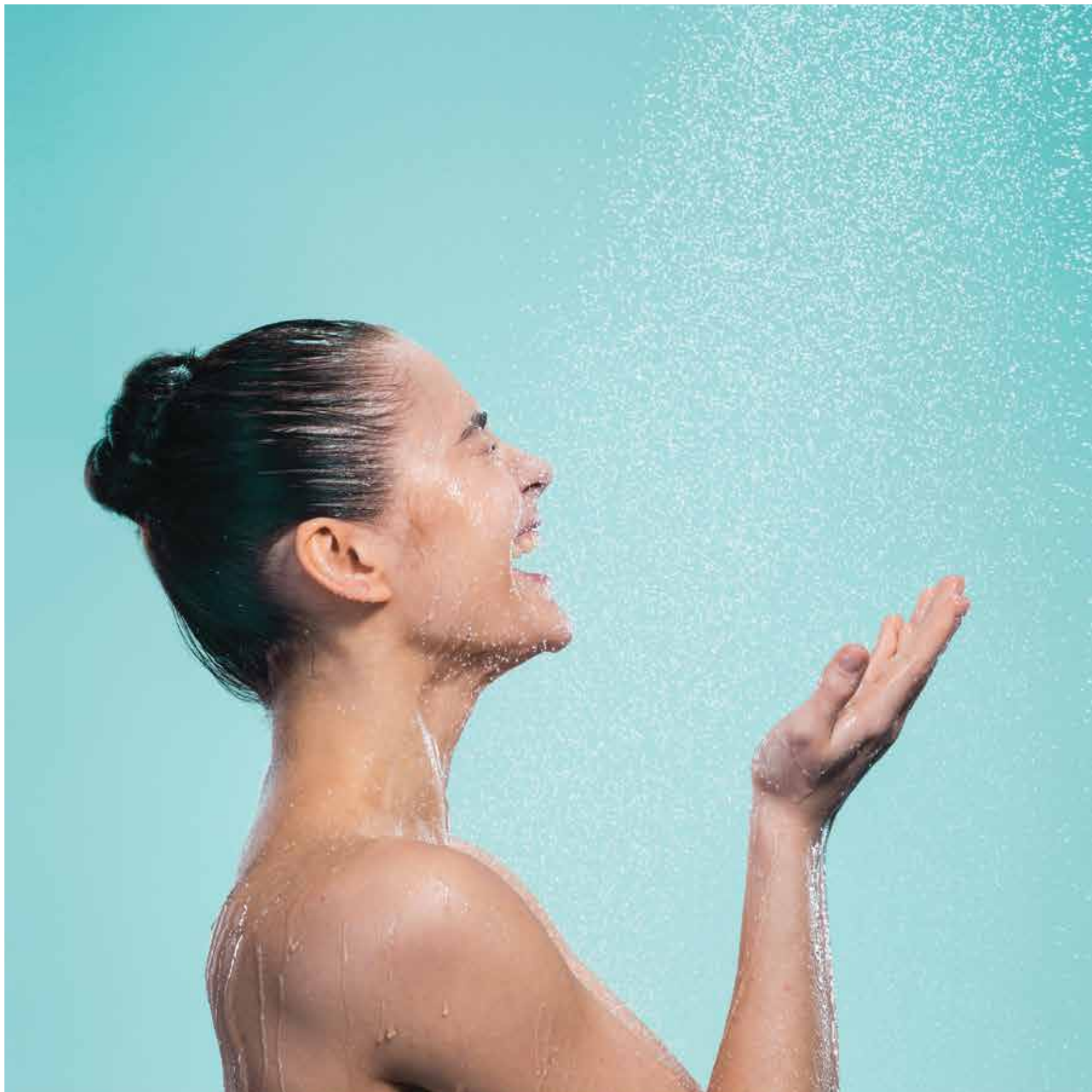
Aroma
therapy



A modern bathroom interior featuring a shower panel, a bathtub, a sink, and a large white vase. The shower panel is a white, rectangular unit with a dark wood trim, mounted on a wall. The bathtub is a white, rectangular unit with a dark wood trim, filled with water. The sink is a white, rectangular unit with a dark wood vanity. A large white vase is placed on the floor. The floor is made of large, light-colored tiles. The walls are a light gray color. Large windows in the background provide a view of the outdoors.

Shower Panels

Jaquar's Shower Panels make showering much more convenient, since they can offer all the capabilities of a shower stall, even in a small bathroom, with body shower jets, hand showers, a convenient shelf for your shampoo and shower gel, and of course an overhead rain shower. Easy to install, Jaquar Shower Panels are a great way to increase the functionality of your existing shower area, as they can fit neatly on to the wall via their wall bars.



Why Shower Panels?

Jaquar's shower panels make showering much more convenient, since they are almost like shower stalls, and fit even in a small bathroom. Jaquar shower panels are an easy way to increase the functionality of your existing shower area, as they can fit neatly on to the wall via their wall bars.

Maximise bathroom space

Since they are designed to be mounted on the wall, not much floor space is required to accommodate the unit.

Versatility

Instead of using a single shower head, many shower panels are available with multiple water outputs.

Wide Range

Jaquar panels are available in a wide range of prices, styles, colours, sizes and designs to suit different needs.

Easy to Install

Minimum civil work is required to install shower panels. It can be fixed into the existing pipeline

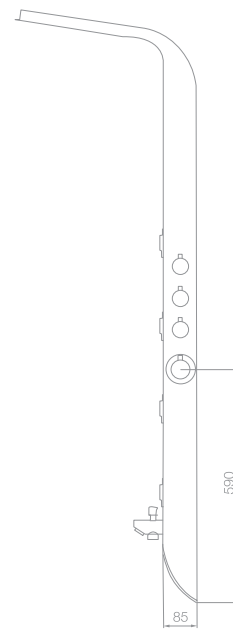
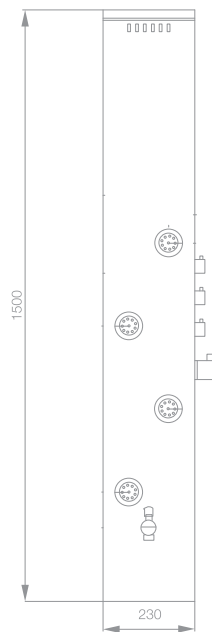


Disclaimer: Pictures shown are for illustration purposes only

Curve Neo

1500 x 230 mm

NEW



JPL-WHT-TMCRUVENEO

Specifications

- 

Dual tone aluminium body
- 

Inbuilt ABS top shower with 60 nozzles
- 

2 Moveable ABS body massage jets
- 

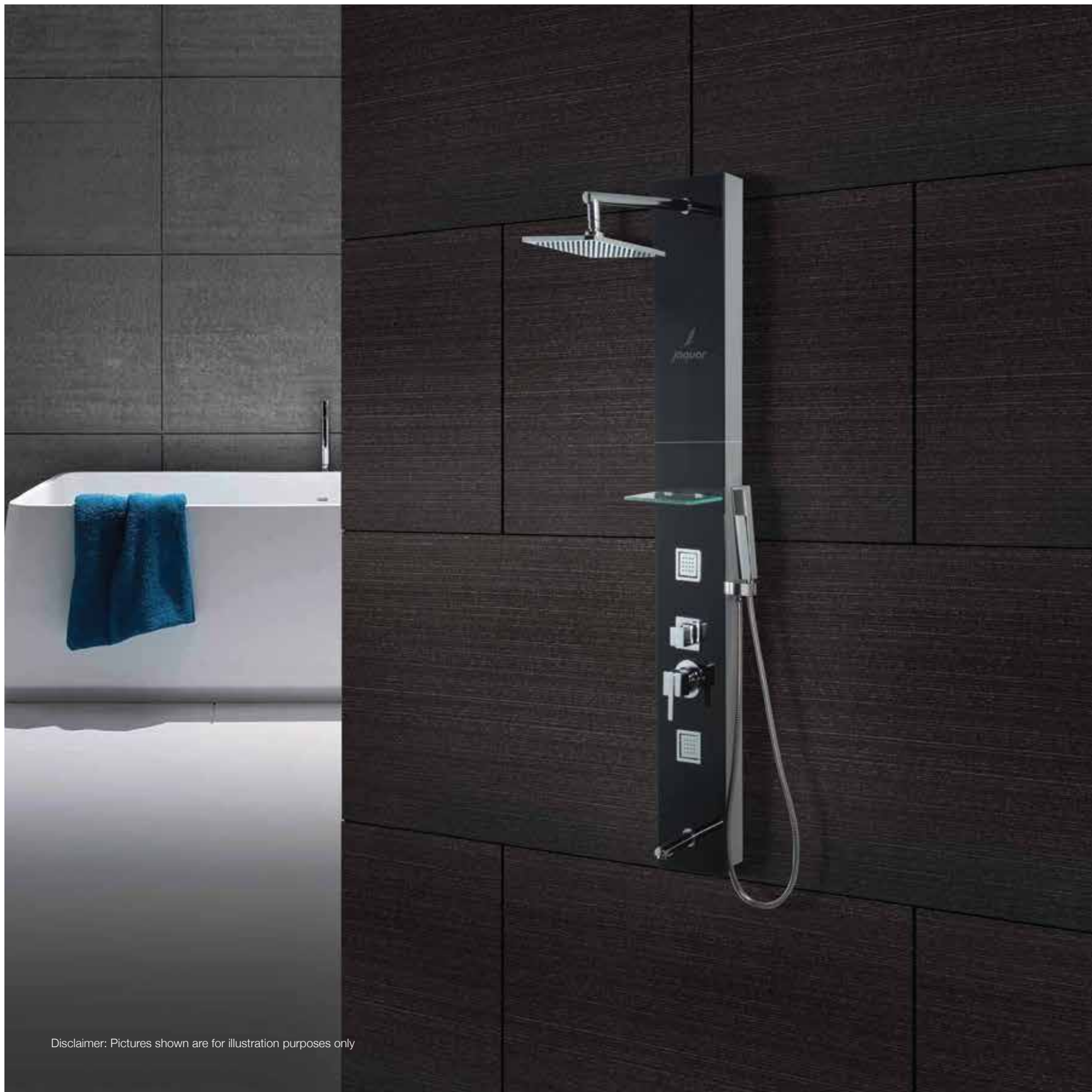
Hand shower with flexible hose
- 

Brass Spout
- 

Thermostatic mixer with diverter
- 

40cm stainless steel braided hose
- 

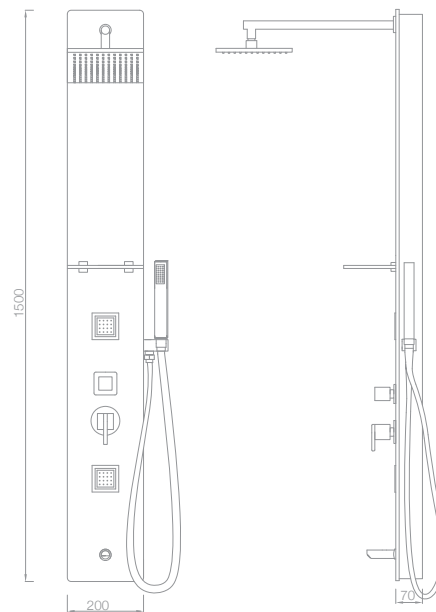
Minimum water pressure required 2 bar



Disclaimer: Pictures shown are for illustration purposes only

Infinity Black

1500 x 200 mm



JPL-BLK-G0842JAX

Specifications



Black tempered
Glass body



2 ABS body
massage jet



Hand Shower
with flexible hose



Brass Spout



Minimum
water pressure
required 2 bar



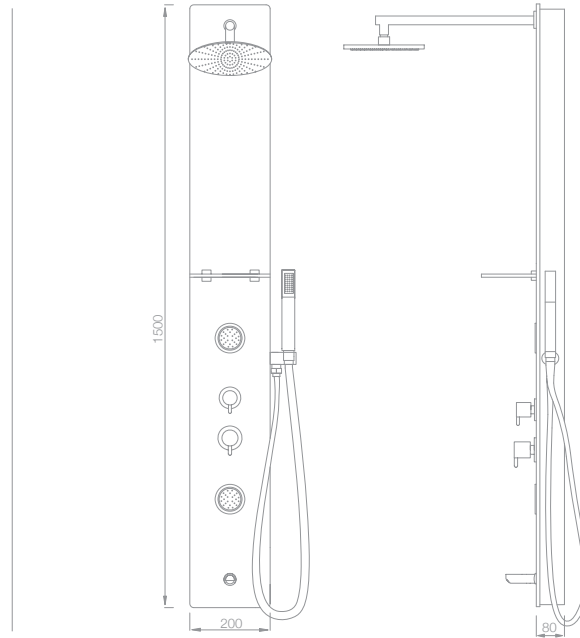
Shelf



Disclaimer: Pictures shown are for illustration purposes only

Infinity White

1500 x 200 mm



JPL-BLK-G0843JAX

Specifications



White
tempered
glass body



2 ABS body
massage jet



Hand shower
with flexible hose



Brass Spout



Minimum
water pressure
required 2 bar



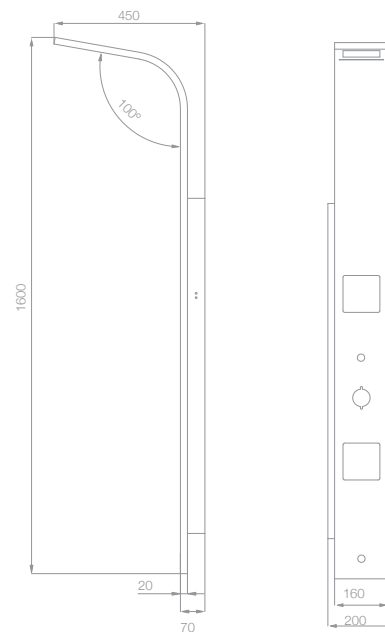
Shelf



Disclaimer: Pictures shown are for illustration purposes only

Shinny

1600 x 200 mm



JPL-SSF-ST8896

Specifications



Anti-finger print
stainless steel
body



Movable ABS
top shower



Cascade
shower



2 Moveable
ABS body
massage jets



Hand shower
with flexible hose



Brass Spout



Thermostatic
mixer with
diverter



40cm
stainless steel
braided hose



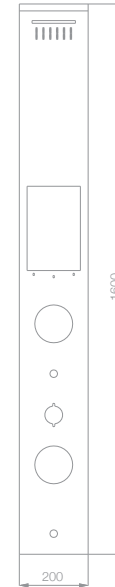
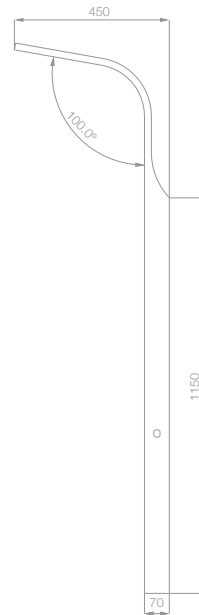
Minimum
Water pressure
required 2 bar



Disclaimer: Pictures shown are for illustration purposes only

Selfy

1600 x 200 mm



JPL-SSF-ST88158B

Specifications



Anti-finger print
stainless steel
body



Inbuilt ABS top
shower with
60 nozzles



2 Moveable
ABS body
massage jets



Hand shower
with flexible hose



Brass Spout



Shelf



Thermostatic
mixer with
diverter



40cm
stainless steel
braided hose



Minimum
water pressure
required 2 bar



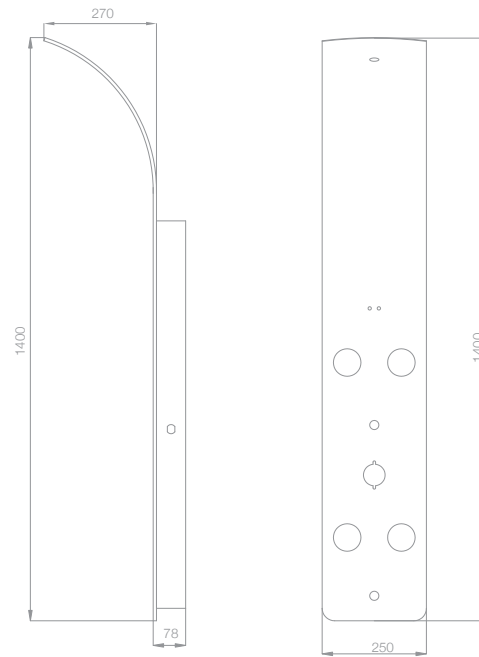
Cascade
shower



Disclaimer: Pictures shown are for illustration purposes only

Glassy White

1400 x 250 mm



JPL-SSF-ST86113

Specifications



White tempered glass body



Moveable ABS top shower



4 Moveable ABS body massage jets



Hand shower with flexible hose



Brass Spout



Shelf



Thermostatic mixer with diverter



40cm stainless steel braided hose



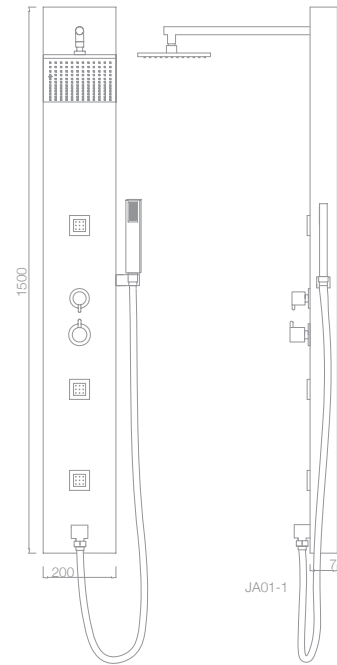
Minimum water pressure required 2 bar



Disclaimer: Pictures shown are for illustration purposes only

Blak

1500 x 200 mm



JPL-BLK-JA011

Specifications



Stainless steel structure



3 adjustable vertical jets (Square)



Moveable ABS top shower



Thermostatic mixer with diverter



Hand shower with flexible hose



Button spout



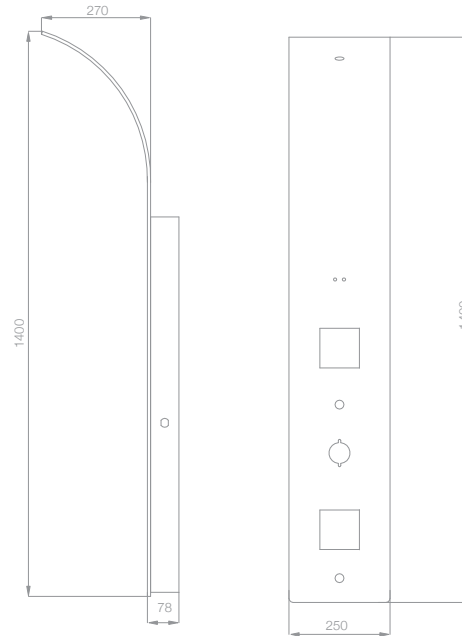
Minimum water pressure required 2 bar



Disclaimer: Pictures shown are for illustration purposes only

Glassy-Black

1400 x 250 mm



JPL-SSF-ST86112

Specifications



Black tempered
Glass body



Moveable ABS
top shower



2 adjustable
ABS body
massage jets



Hand shower
with flexible hose



Brass Spout



Shelf



Thermostatic
Mixer with
diverter



40cm
stainless steel
braided hose



Minimum
water pressure
required 2 bar





Project Series

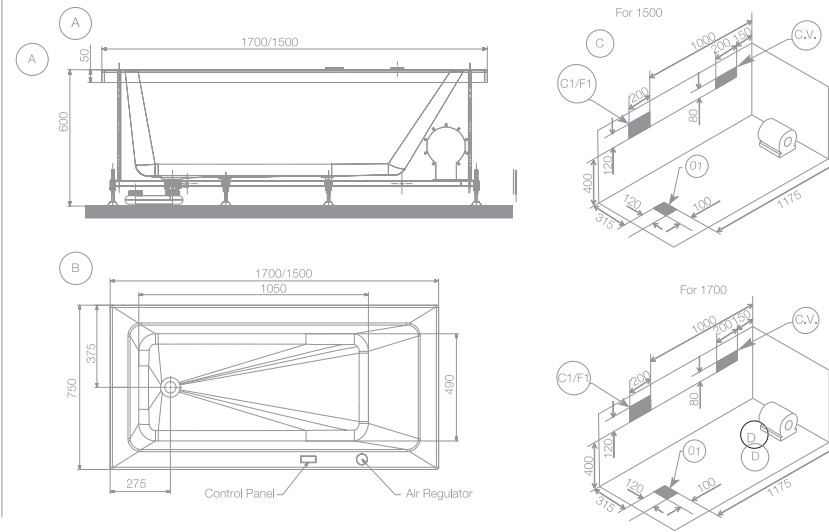
Specially created for projects with space constraints in bathrooms, Jaquar Fonte Whirlpools (available in two sizes) and My Home series of shower panels are a great way to offer excellent functionality and a premium bathroom experience even in small spaces.



Disclaimer: Pictures shown are for illustration purposes only

Fonte

1700 x 750 x 420 mm
1500 x 750 x 420 mm



JWP-WHT-FONTE170PCX / JWP-WHT-FONTE150PCX

Specifications



PMMA Sheet



PU Green Reinforcement



SS Frame



Level Sensor



Safety Vacuum Breaker



Keypad control



Overflow with Drain pipe



Water Pump 0.75 HP



Slim water Jets 6



0.9 HP Air Blower



Air Jets 12



Air Regulator

JWP-WHT-FONTE170PWX / JWP-WHT-FONTE150PWX

Specifications



PMMA Sheet



PU Green Reinforcement



SS Frame



Level Sensor



Safety Vacuum Breaker



Keypad control



Overflow with Drain pipe



Water Pump 0.75 HP



Slim water Jets 6



Air Regulator

JWA-WHT-FONTE170FPX / JWA-WHT-FONTE150FPX (Front Panels)

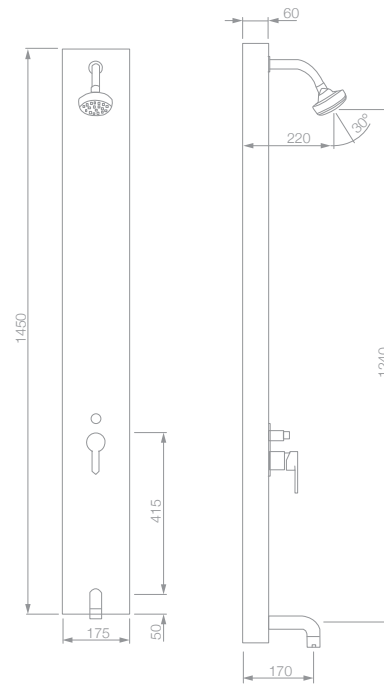
JWA-WHT-SP75X (Side Panel)



Disclaimer: Pictures shown are for illustration purposes only

My Home

1450 x 175 x 60 mm



JPL-SSF-SPMYHOME

Specifications



Material
Stainless steel
Grade: 304



Single Lever
Diverter



Hand shower
(optional)



Spout



Mirror finish
SS body



Movable
overhead shower

Flow Rates	0.5Bar	1.0 Bar	1.5 Bar	2.0 Bar	2.5Bar	3.0Bar	3.5Bar	4.0Bar	4.5Bar	5.0Bar	5.5Bar
My Home Shower Panel (Spout Flow Rate in Ltr/Min)	9.35	13.04	16.05	18.57	20.74	22.79	24.65	26.34	28.04	29.61	31.05
My Home Shower Panel (Shower Flow Rate in Ltr/Min)	5.42	8.03	10.03	11.68	13.16	14.44	15.68	16.81	17.83	18.87	19.77



World-class whirlpools. Proudly made by Jaquar in India.

Jaquar whirlpools are made in Jaquar's own, state-of-the-art manufacturing facilities. Using the finest raw materials and components, including imported PMMA sheets and high quality fittings, wiring and pumps, Jaquar creates products that will serve you for years and years.

The processes use too, are the best-in-class: from automated thermoforming to vacuum suction to achieve the perfect contours. Robotic reinforcement of the tub (with waste PMMA granules) for complete uniformity and efficiency. Precision drilling of the drain hole and holes for air and water jets.

The finishing touch is the polishing of the tubs and whirlpools to a deep, gleaming shine that makes it look worthy of being a world-class product from India's trusted bath fittings brand!

Warranty Table

Name of Product Electrical and electronic	Warranty Period
Parts in all products	2 years
Free standing bathtub	5 years
Built-in Bathtub	5 years
Whirlpool	5 years
Spa	5 years
Steam Cabin	5 years
Sauna	5 years
Shower panel: parts other than electrical & electronic	5 years
SPA - shell	10 years
Steam generator	2 years
Filler & other consumables	Nil



Conceived back in 1960, the Jaquar Group has been built on the platform of the highest quality standards, aesthetics and the intent of providing world-class products. Today, the Jaquar Group caters to luxury, premium and value bathroom segments with Artize, Jaquar & Essco brands, respectively, for residential and commercial sectors across the globe.

Artize

craftsmanship in water

A tribute to the fine traditions of exquisite craftsmanship and precision where design, technology and expertise combine to deliver a masterpiece. Artize products are crafted for luxurious bath spaces. Perfect harmony is the very essence of Artize-together as coordinates or even as individual pieces. Artize's exquisite craftsmanship is so stunning that it can inspire the design principles of not just your bath spaces but of your entire living spaces.



The oldest brand from India's most trusted corporate in the bathware segment, Essco has been in existence for 5 decades. A value brand that added a whole new chapter in the country's bath fittings industry by ushering in the era of the organised bath market, Essco has been supporting affordable and sustainable housing in India. Its range of quality products are not only priced reasonably, but also offer a 10-year warranty and excellent customer service. Essco has been standing tall in the Indian bath fittings industry since 1960 by delivering great performance at a low cost. And enabling Indian consumers to live a better quality of life through good sanitation and affordable housing.



Created for the premium segment, the Jaquar brand offers the Indian consumer easy access to the finest choices in bathing products. India's most trusted bath brand, Jaquar is an undisputed market leader because of its quality that is backed by unmatched customer service - available nationwide, with a single number. A global Superbrand, Jaquar's wide range of products combine beautifully designed aesthetics with the highest build quality to ensure that they can withstand tough Indian usage conditions. Customer confidence in the brand is further strengthened with the 10-year warranty and industry-leading customer care. A Complete Bathroom Solutions brand, Jaquar is a one-window solution brand for anyone seeking to build a beautiful bathroom.

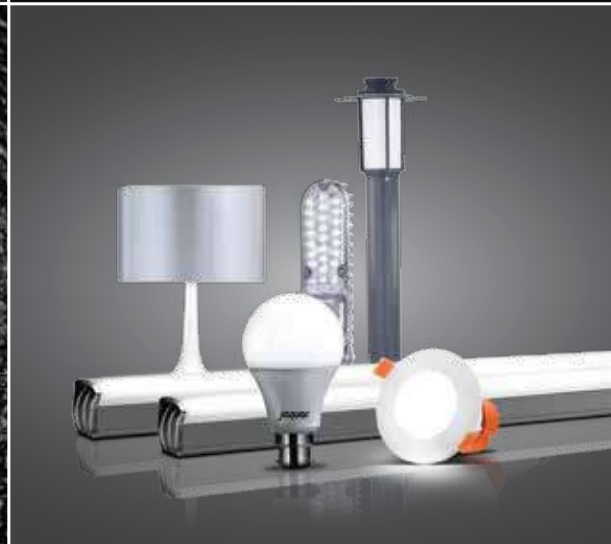


Jaquar Lighting gives you complete lighting solutions - for residential, commercial and outdoor use. Our extensive range lets you choose for varied budgets without compromising on quality and reliability. They are designed to complement and coordinate the most exclusive interior and exterior lifestyles and decors, from classic to contemporary. The house of Jaquar has the legacy of excellence that has been manifested time and again through its brand of bath fittings; Jaquar Lighting is no exception. Every lighting product reflects Jaquar's impeccable record of superlative quality and painstaking attention to detail.

Jaquar
GROUP

Complete Bathroom and Lighting Solutions





© Jaquar Syndicated Research Neilson '13, 'Percept' '16



ONE-STOP SOLUTIONS • COORDINATED BATHROOM CONCEPTS • PRODUCTS MADE FOR TOUGH INDIAN CONDITIONS • PROUDLY MADE IN INDIA FOR THE WORLD • INDIA'S MOST TRUSTED BATH BRAND*



ANDROID APP ON
Google play

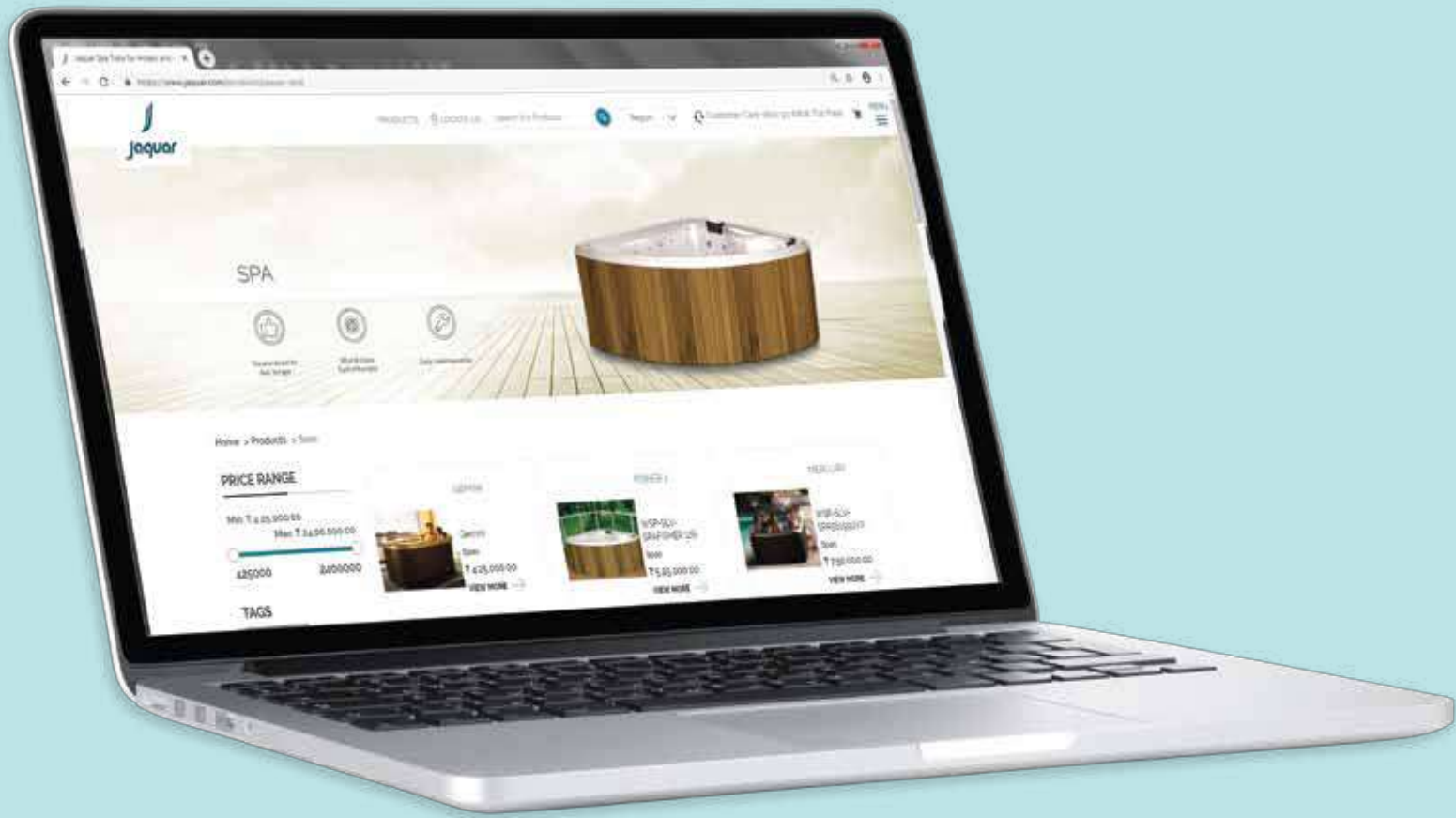
Available on the
App Store

jaquar.com

Jaquar
CARE

1800-121-6808 (Bathroom)

1800-212-6808 (Lighting)



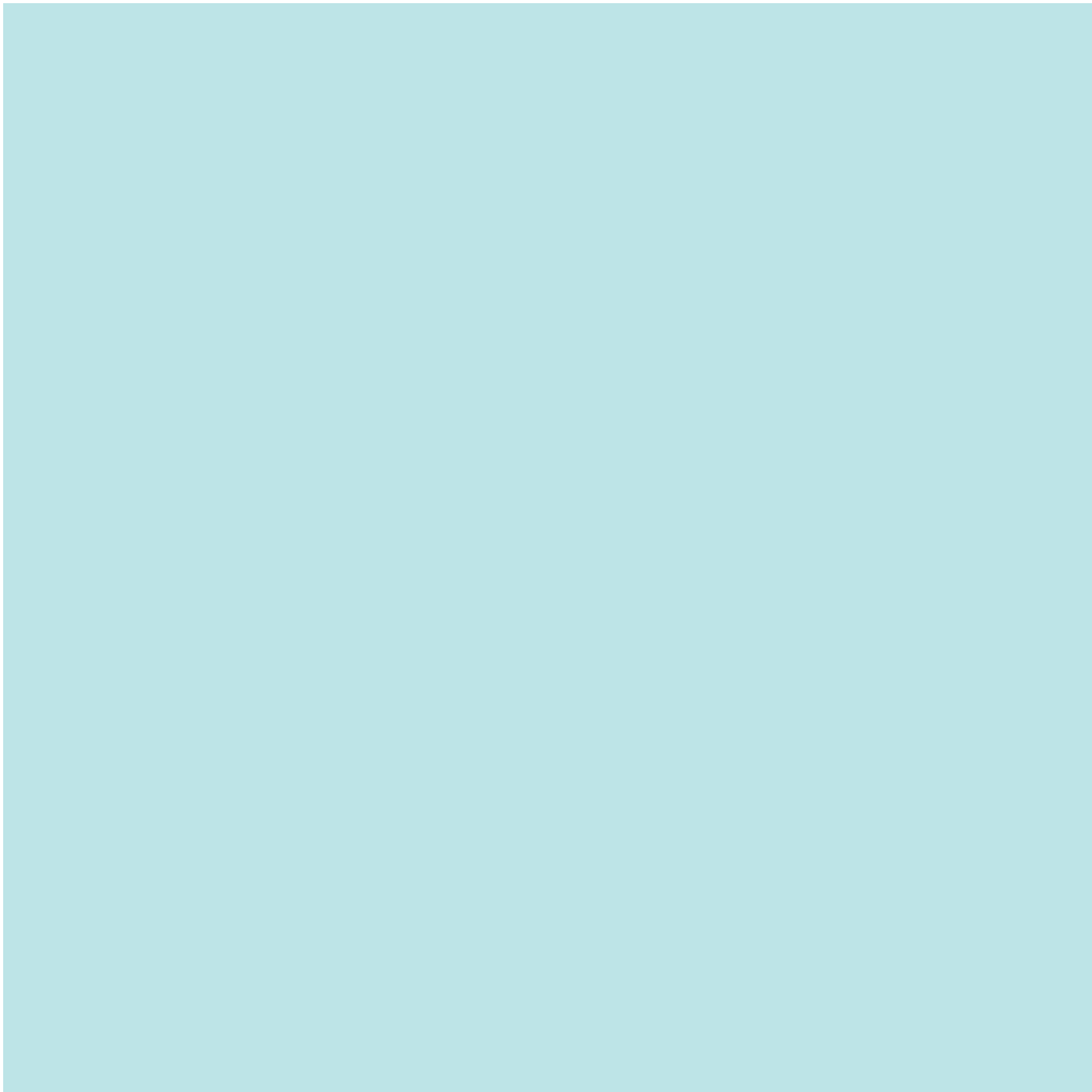
Jaquar Online

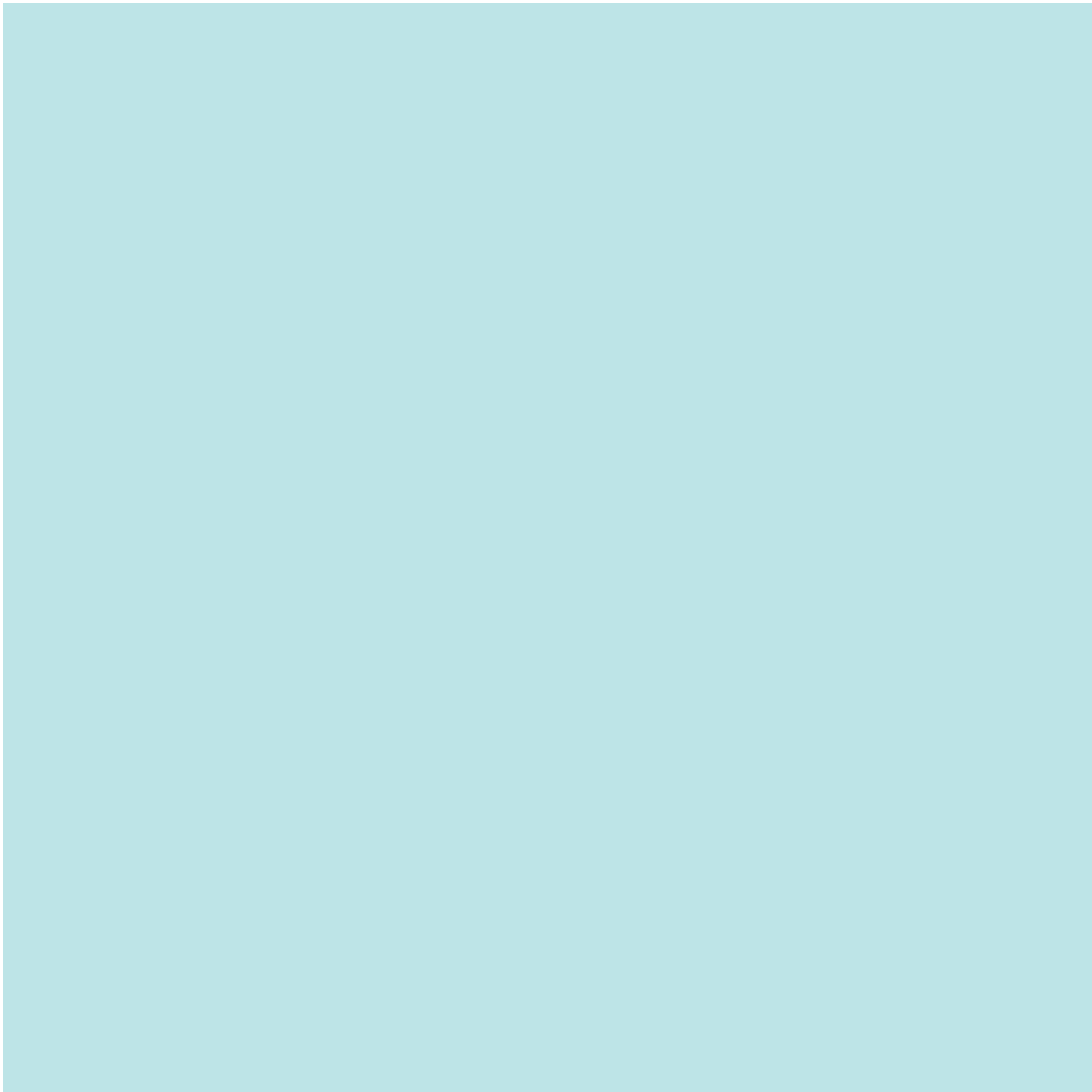
Explore Jaquar's wide range of Complete Bathroom Solutions on your screens, anytime at www.jaquar.com and get the showroom experience right in the comfort of your home.

- Download Technical Drawings with Specifications, Product Images and CAD Drawings
- See 3-Dimensional view of products
- Find the Dealer/Retailer nearest to your location
- Download Brochures of Jaquar's latest products and find the ones that fit your style
- Subscribe to Jaquar emails and be the first to learn about our new launches
- Connect with us on our social media pages

Download
The Jaquar App
For Complete
Bathroom Solutions.
Anytime. Anywhere.







www.jaquar.com

Follow us:     



Scan the QR code to view the brochures



Wellness catalogue



Wellness bathroom concept